



QuadratANK[®]

Dutypoint 
Systems

**Weatherproof booster
and tank system**

Weatherproof storage tank,
booster set and equipment kiosk





Combined booster set and water storage tank in a weatherproof housing - save valuable plant room space

Extensive choice of units from the Dutypoint booster set range can be installed in a QuadraTANK®

Save onsite installation time - booster sets are installed, wired and tested prior to delivery

Install additional plant room equipment in the QuadraTANK® kiosk, including water conditioners, UV treatment etc.

Ideal for new build or retrofit applications

Tank, lid, lighting, heater, control panel, float valve, internal pipework all included

Huge range of storage capacities available

Bespoke versions available on request

Weatherproof storage tank, booster set and equipment kiosk

The perfect solution to a lack of plant room space, each QuadraTANK® has an integrated water storage tank and booster set housed in a kiosk, all within a weatherproof housing. Available in a huge range of sizes, the unit is delivered to site set up and ready, leading to savings in both space and onsite installation time. Most booster sets from the Dutypoint Systems range can be installed within a QuadraTANK®.

Standard Technical Features

- Insulated GRP construction
- 50mm insulation (HCFC and CFC free)
- Reinforced base (encapsulated multi-ply board)
- Screened spill weir
- Category 5 type AB air gap
- Screened vent and overflow
- Equilibrium float valve options (½" to 2" depending on model)
- Lockable manway access hatch
- Hinged lockable door(s) with stay
- Wall mounted control panel
- High and low level vermin-screened louvre vents
- Thermostatically controlled housing heater
- Internal lighting
- RCCB protection

Options

- External alarm beacon
- Non-standard colours
- Thermostatically-controlled tank immersion heater
- Access ladder
- High water level sensor
- Wash down/irrigation hose reel
- Dual tank compartments (JQ and KQ models only)



Specification

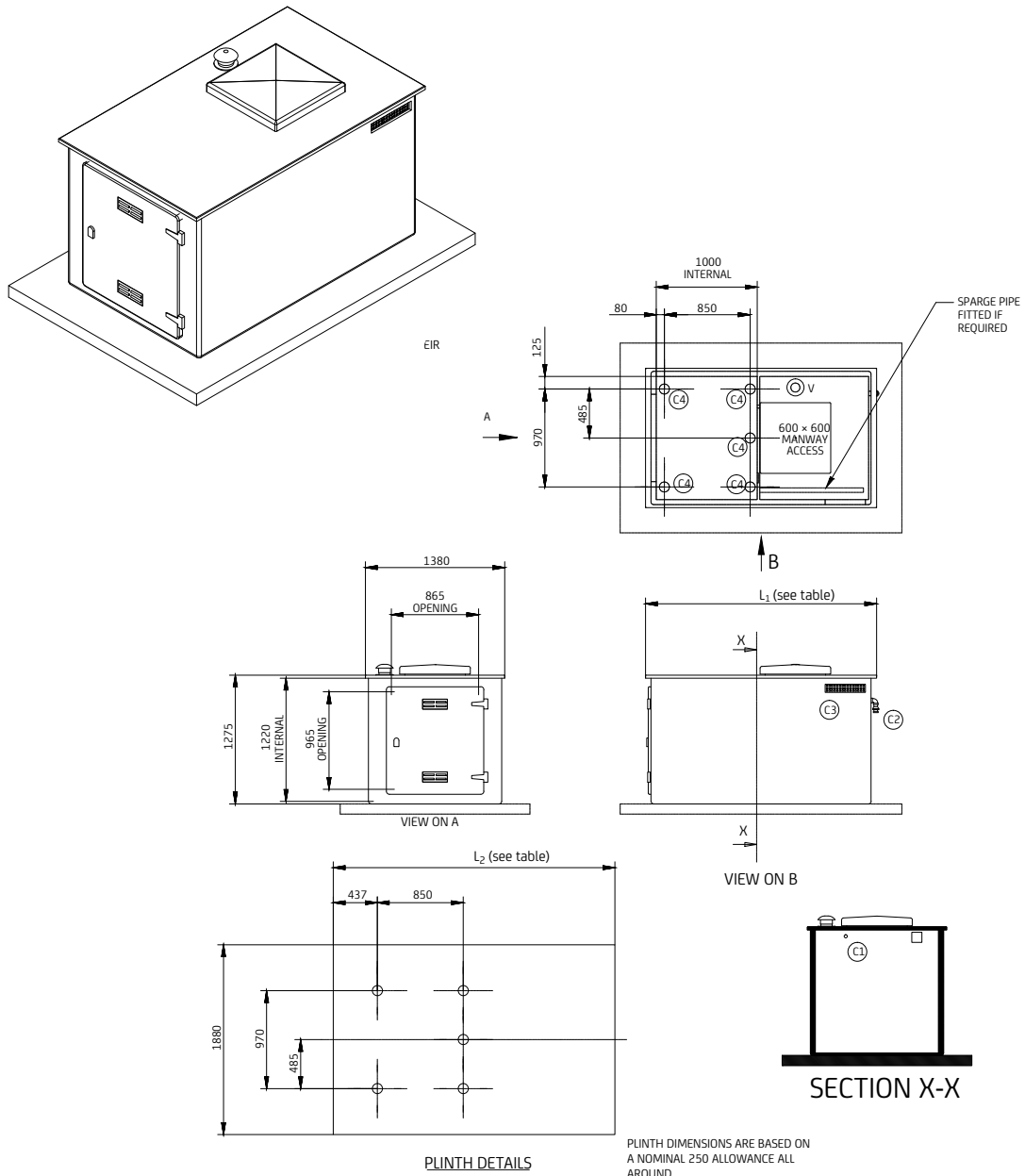
Maximum tank capacity	12,951*
Kiosk heater rating	60W
Light rating	100W
RCCB rating	300mA

*Larger, non-standard sizes available on request

Visit [dutypoint.com](https://www.dutypoint.com)
for full product listings,
specifications and more

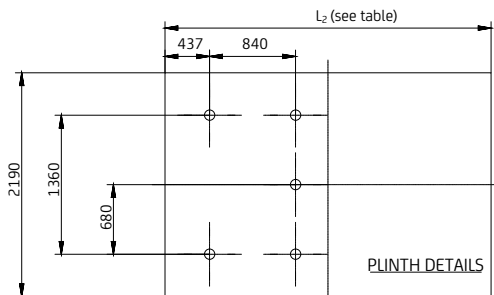
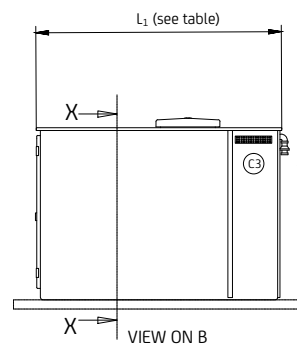
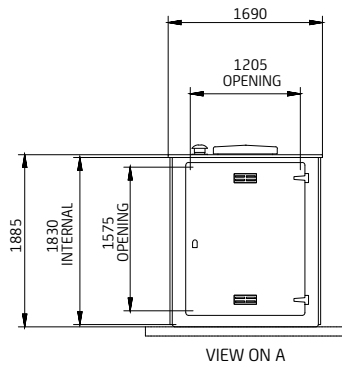
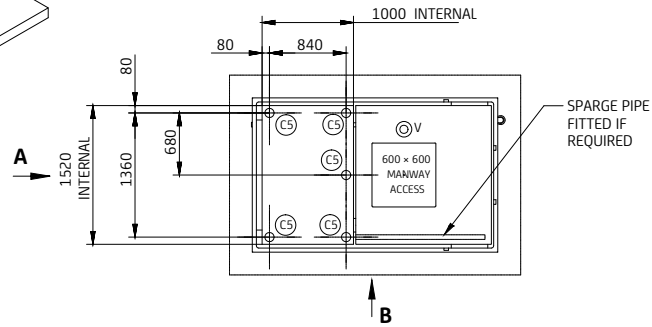
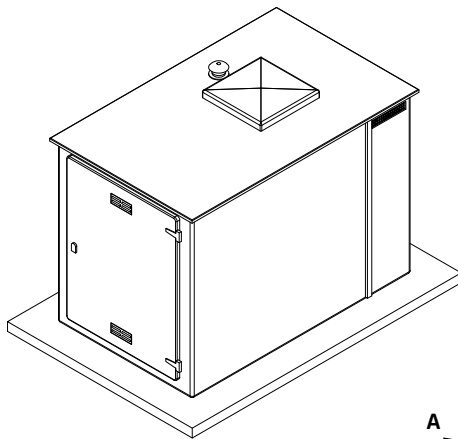
QuadraTANK® HQ Series

Model No.	Float Valve Size	Actual Capacity (litres)	Dimensions (mm)	
			L ₁	L ₂
HQ800	½"	747	1990	2490
	¾"	763		
	1"	772		
HQ1100	½"	1017	2290	2790
	¾"	1039		
	1"	1051		



QuadraTANK® IQ Series

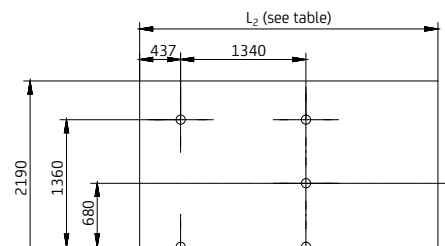
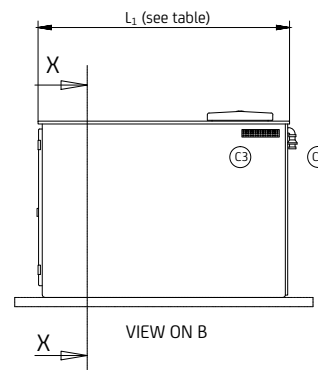
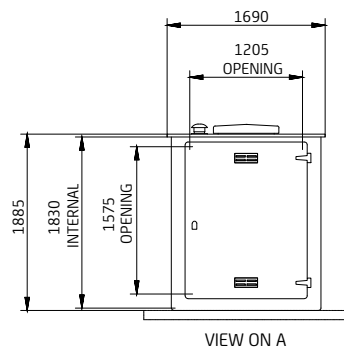
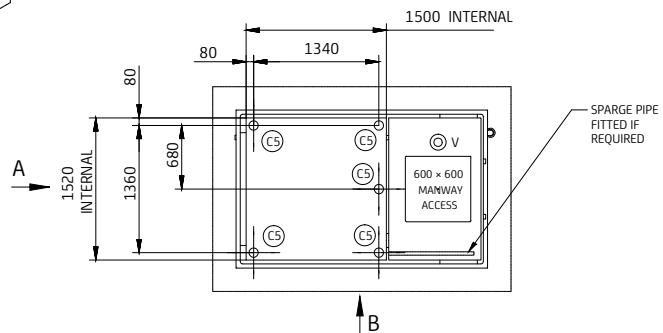
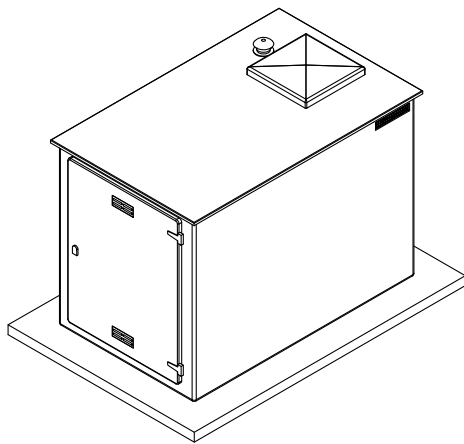
Model No.	Float Valve Size	Actual Capacity (litres)	Dimensions (mm)	
			L ₁	L ₂
IQ1200	1¼"	980	1690	2190
	2"	836		
IQ2000	1¼"	1960	2190	2690
	2"	1672		
IQ3000	1¼"	2941	2690	3190
	2"	2508		
IQ4000	1¼"	3921	3190	3690
	2"	3344		
IQ5000	1¼"	4902	3680	4190
	2"	4180		



PLINTH DIMENSIONS ARE BASED ON A NOMINAL 250 ALLOWANCE ALL AROUND.

QuadraTANK® JQ Series

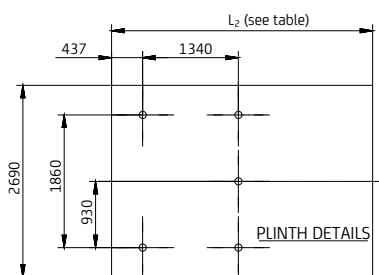
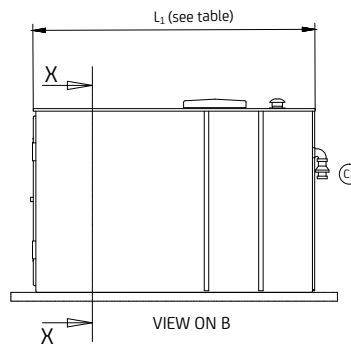
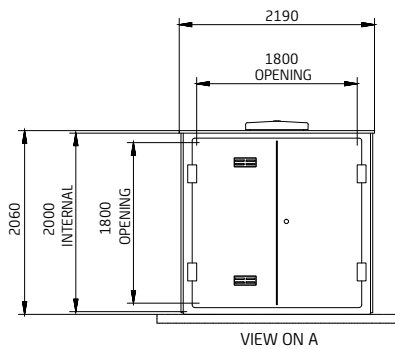
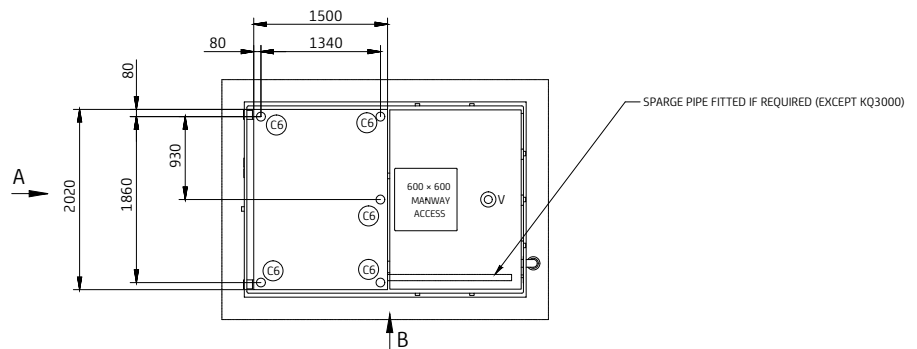
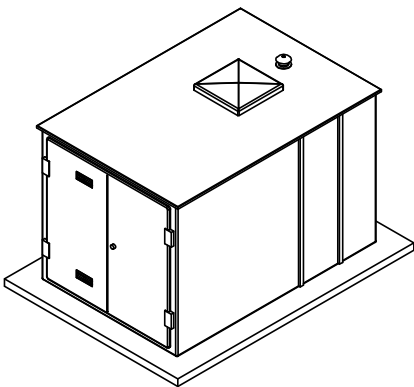
Model No.	Float Valve Size	Actual Capacity (litres)	Dimensions (mm)	
			L ₁	L ₂
JQ1500	1¼"	980	1690	2190
	2"	836		
JQ2500	1¼"	1960	2190	2690
	2"	1672		
JQ3500	1¼"	2941	2690	3190
	2"	2508		
JQ4500	1¼"	3921	3190	3690
	2"	3344		



PLINTH DIMENSIONS ARE BASED ON A NOMINAL 250 ALLOWANCE ALL ROUND.

QuadraTANK® KQ Series

Model No.	Float Valve Size	Actual Capacity (litres)	Dimensions (mm)	
			L ₁	L ₂
KQ3000	1¼"	2878	2660	3160
	2"	2494		
KQ4000	1¼"	4317	3160	3660
	2"	3742		
KQ5500	1¼"	5756	3660	4160
	2"	4989		
KQ7000	1¼"	7195	4160	4660
	2"	6236		
KQ8500	1¼"	8634	4660	5160
	2"	7484		
KQ10000	1¼"	10073	5160	5660
	2"	8731		
KQ11000	1¼"	11512	5660	6160
	2"	9978		
KQ13000	1¼"	12951	6160	6660
	2"	11226		



PLINTH DIMENSIONS ARE BASED ON A NOMINAL 250 ALLOWANCE ALL AROUND.



Shepherd Road, Gloucester, GL2 5EL
T: +44 (0)1452 300592 **F:** +44 (0)1452 303691 **E:** sales@dutypoint.com
www.dutypoint.com