



# ESPS-200 FLOATS OPERATION

U1	V1	W1	11	12	E	U2	V2	W2	14	15	E	1	2	3	4	2	5	1	24	2	3	0	6
PUMP 1			KLIXON			PUMP 2			KLIXON			R E D	W H I T E	WIRE LINK	B L A C K	B L A C K	G R E E N	O R A N G E	LINK FOR ASSIST	REM 24V AC ALARM			

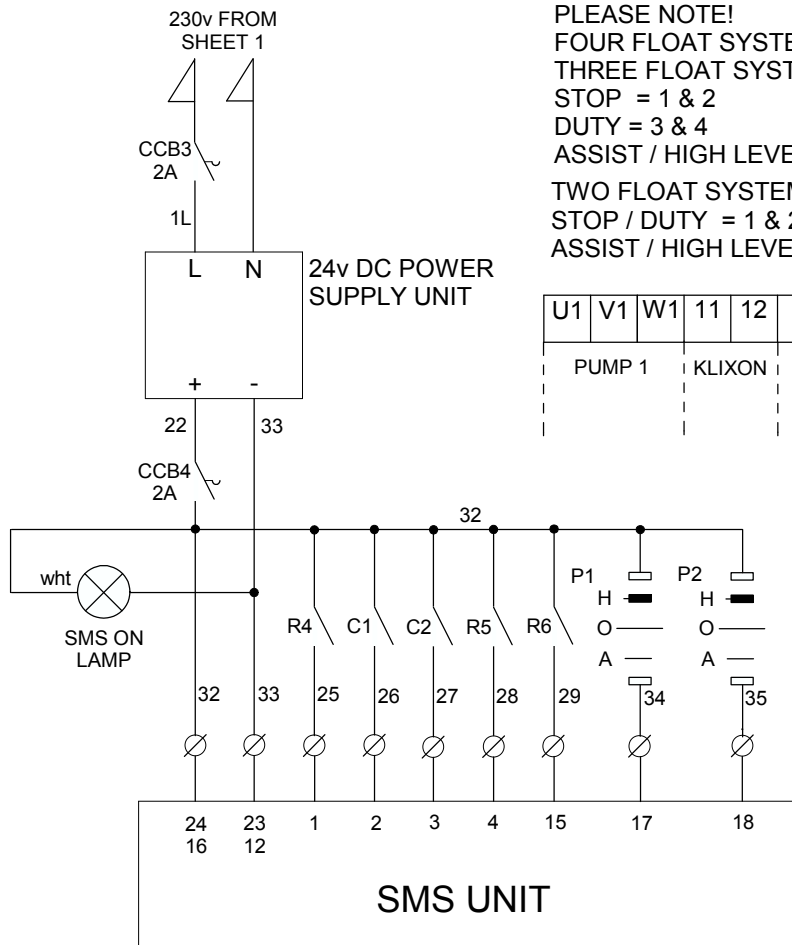
# STANDARD FLOATS OPERATION

PLEASE NOTE!  
 FOUR FLOAT SYSTEM CONNECT AS SHOWN  
 THREE FLOAT SYSTEM CONNECT AS FOLLOWS  
 STOP = 1 & 2  
 DUTY = 3 & 4  
 ASSIST / HIGH LEVEL = 2 & 5 WITH WIRE LINK FROM 5 - 24  
 TWO FLOAT SYSTEM CONNECT AS FOLLOWS  
 STOP / DUTY = 1 & 2 & LINK 3 & 4  
 ASSIST / HIGH LEVEL = 2 & 5 WITH WIRE LINK FROM 5 - 24

PLEASE NOTE:  
 SHOULD DUTY STAND BY  
 BE REQUIRED REMOVE  
 WIRE LINK FROM  
 CONNECTIONS 2 & 3

U1	V1	W1	11	12	E	U2	V2	W2	14	15	E	1	2	3	4	2	5	1	24	2	3	0	6
PUMP 1			KLIXON			PUMP 2			KLIXON			STOP	DUTY	ASSIST/ STD BY	HIGH LEVEL	LINK FOR ASSIST	REM 24V AC ALARM						

**FLOATS**



**Key**

- COIL
- N/O CONTACT
- BUZZER
- N/C CONTACT
- BEACON
- N/O TIMER
- LAMP
- N/C TIMER
- HEATER
- FLOAT
- FUSE
- LINK
- OUTGOING TERMINAL
- INTERNAL TERMINAL

DUTYPOINT TEL: 01452 300110 FAX: 01452 303691	
CK19T/SMS 400v	
Drawing No <b>CK19T/SMS</b>	Drawn by G.L.
Job No	Checked by T.B.
Sheet No 2 off 2	Date 03/11/15

Rev No	Description	Date	Rev No	Description	Date	Rev No	Description	Date	Rev No	Description	Date
--------	-------------	------	--------	-------------	------	--------	-------------	------	--------	-------------	------