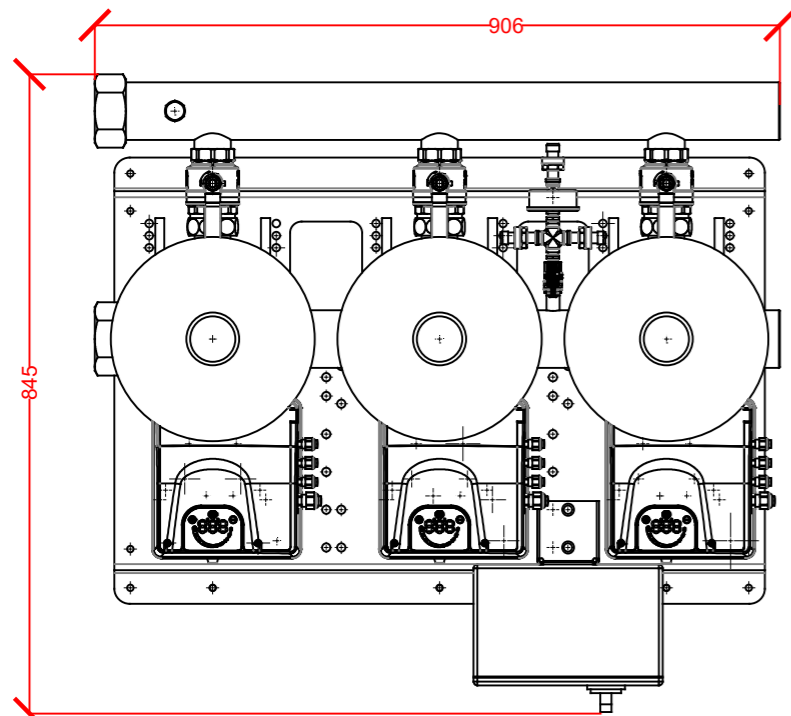
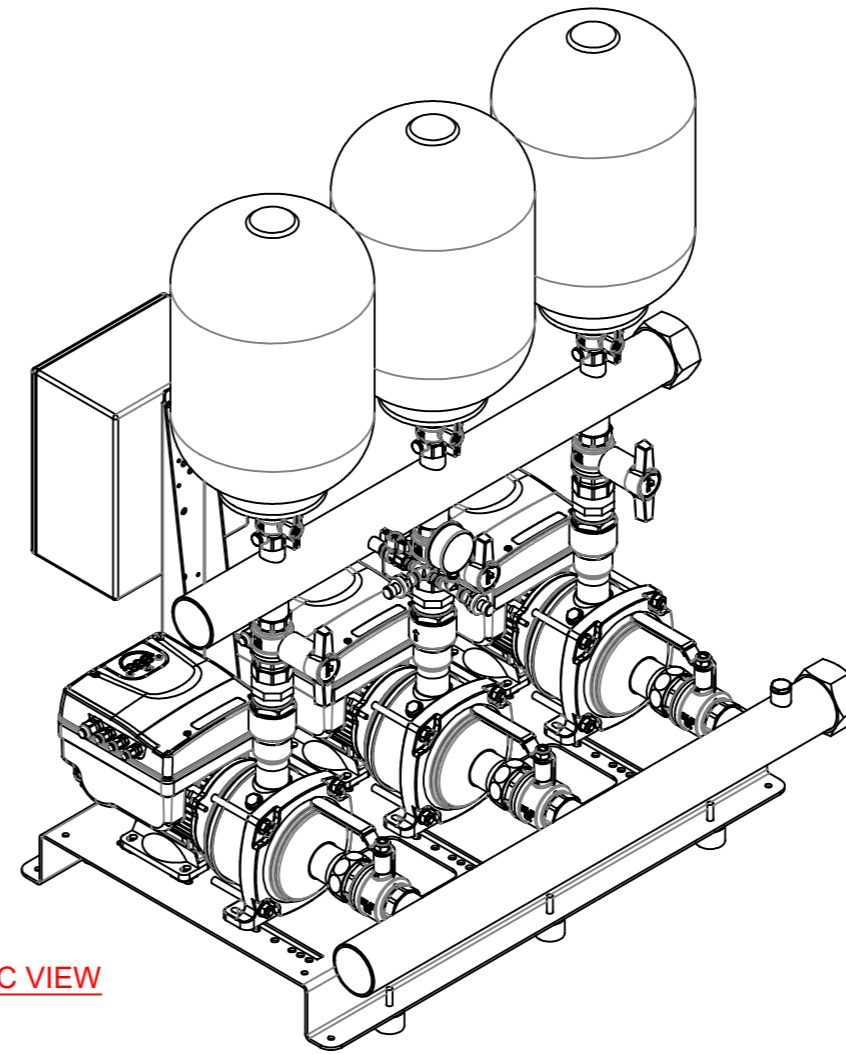


Notes:-
 1. This document is for information/quote purposes and NOT to be used for design purposes



PLAN VIEW



ISOMETRIC VIEW

QUOTE DRAWING

DUTYPOINT 

PUMPS | SYSTEMS | SERVICING | KNOW-HOW

Shepherd Road
 Gloucester
 GL2 5EL
 T: 01452 300 110

This drawing is the property of DUTYPOINT. Copyright is reserved by them and the drawing issued on the condition that it must not be used for any purpose other than that for which it is supplied and not to be copied, reproduced, retained or disclosed to any unauthorised person either wholly or in part without the consent in writing of DUTYPOINT

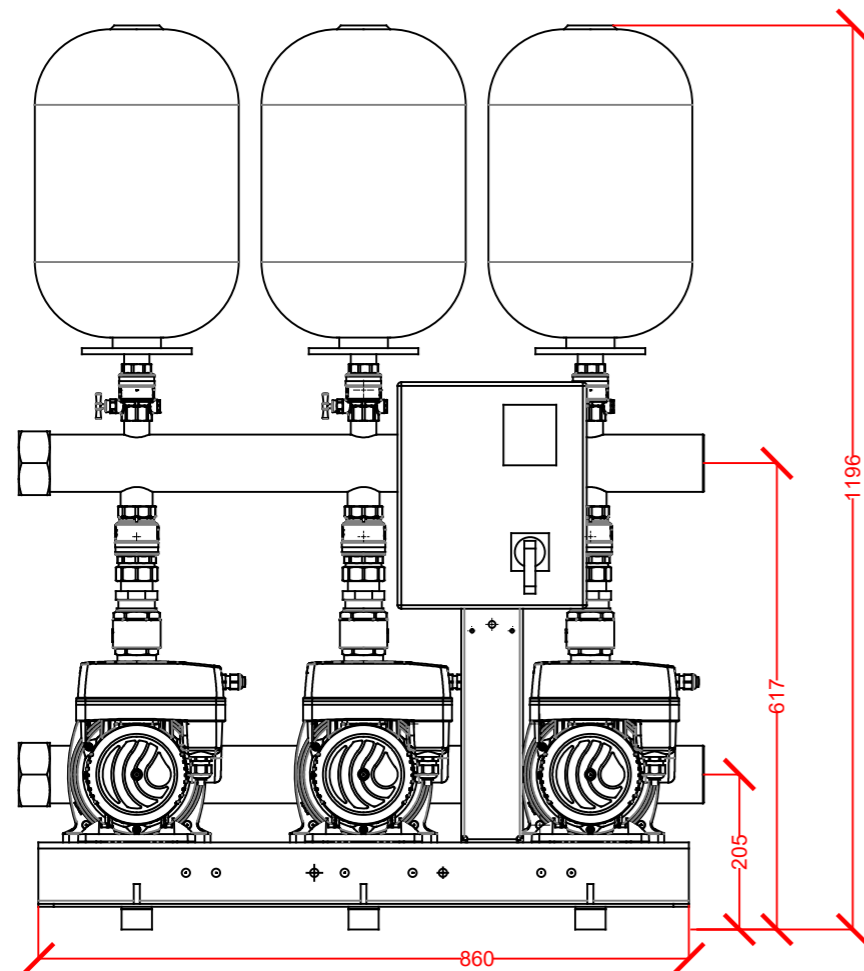
Scale: 1:10 Date: 15/03/2018 Drawn: GDS

Title: VG3-10HME03-LSM

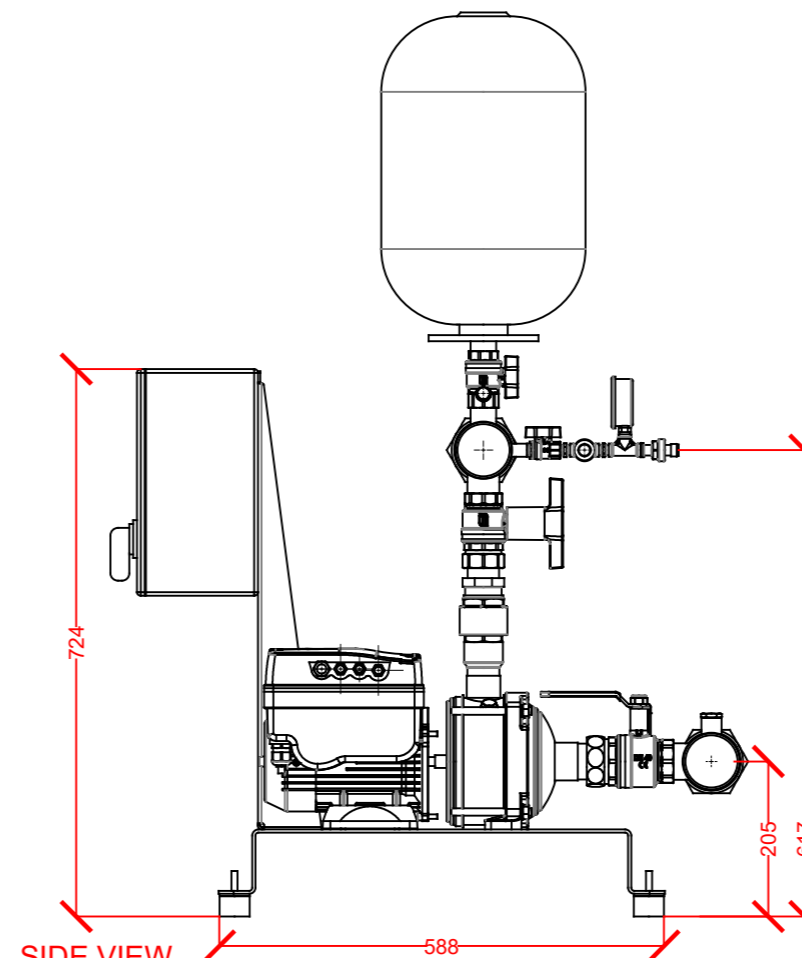
Drawing Number: VG3-10HME03-LSM

Internal Ref: VG Products

Client: X



FRONT VIEW



SIDE VIEW