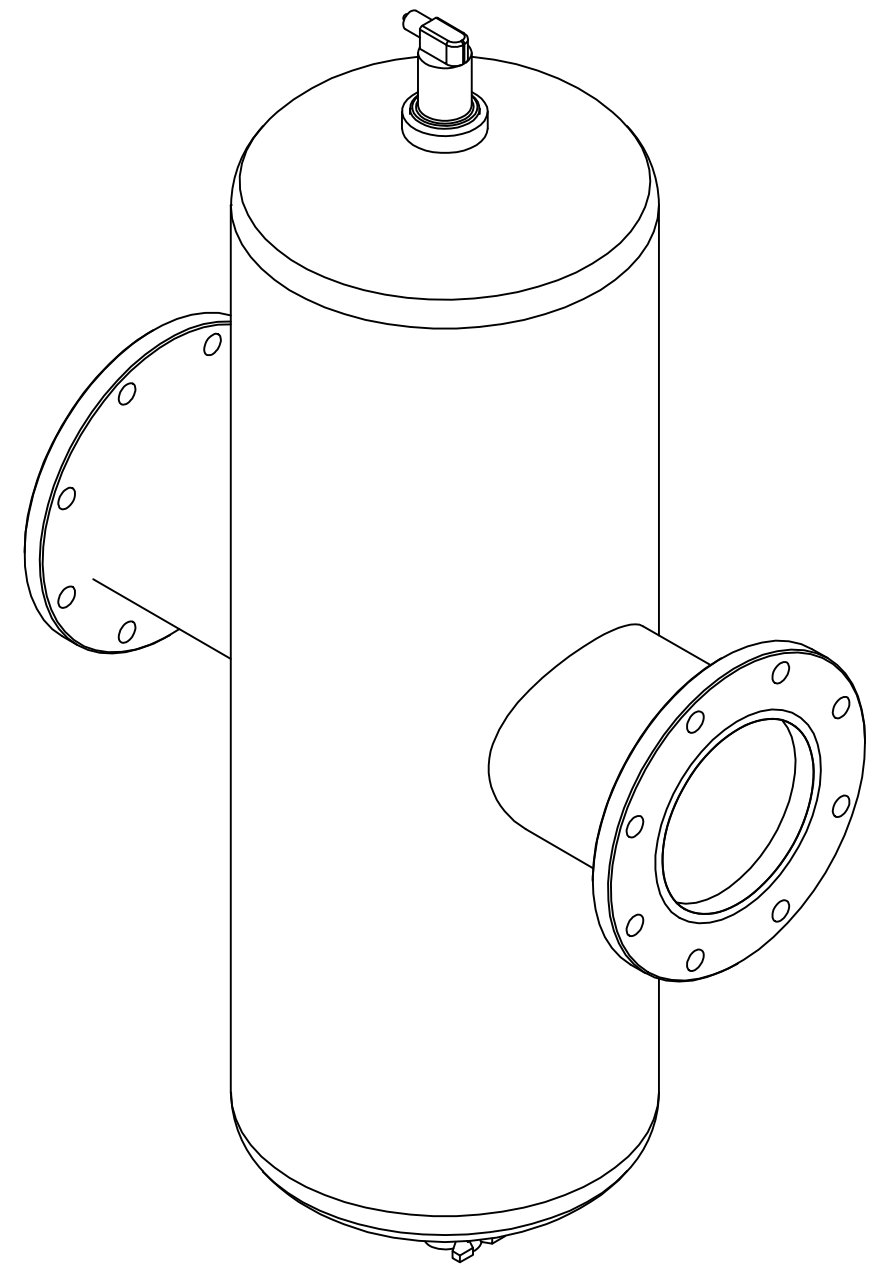


FLOW - 125 m³/h

VOLUME - 150 lt

DN200



| | NAME | DATE | Dutypoint Systems | | |
|---|-------|----------|--------------------------|------------------------------|----------|
| DRAWN | nigel | 04/03/13 | TITLE CX200C - SEPARATOR | | |
| CHECKED | | | | | |
| ENG APPR | | | | | |
| MGR APPR | | | | | |
| UNLESS OTHERWISE SPECIFIED DIMENSIONS ARE IN MILLIMETERS ANGLES ±X.X° 2 PL ±X.XX 3 PL ±X.XXX | | | SIZE A3 | DWG NO CX200C - SEPARATOR | REV A |
| | | | FILE NAME: CX200C.dft | | |
| SCALE: | | WEIGHT: | SHEET 1 OF 1 | | |