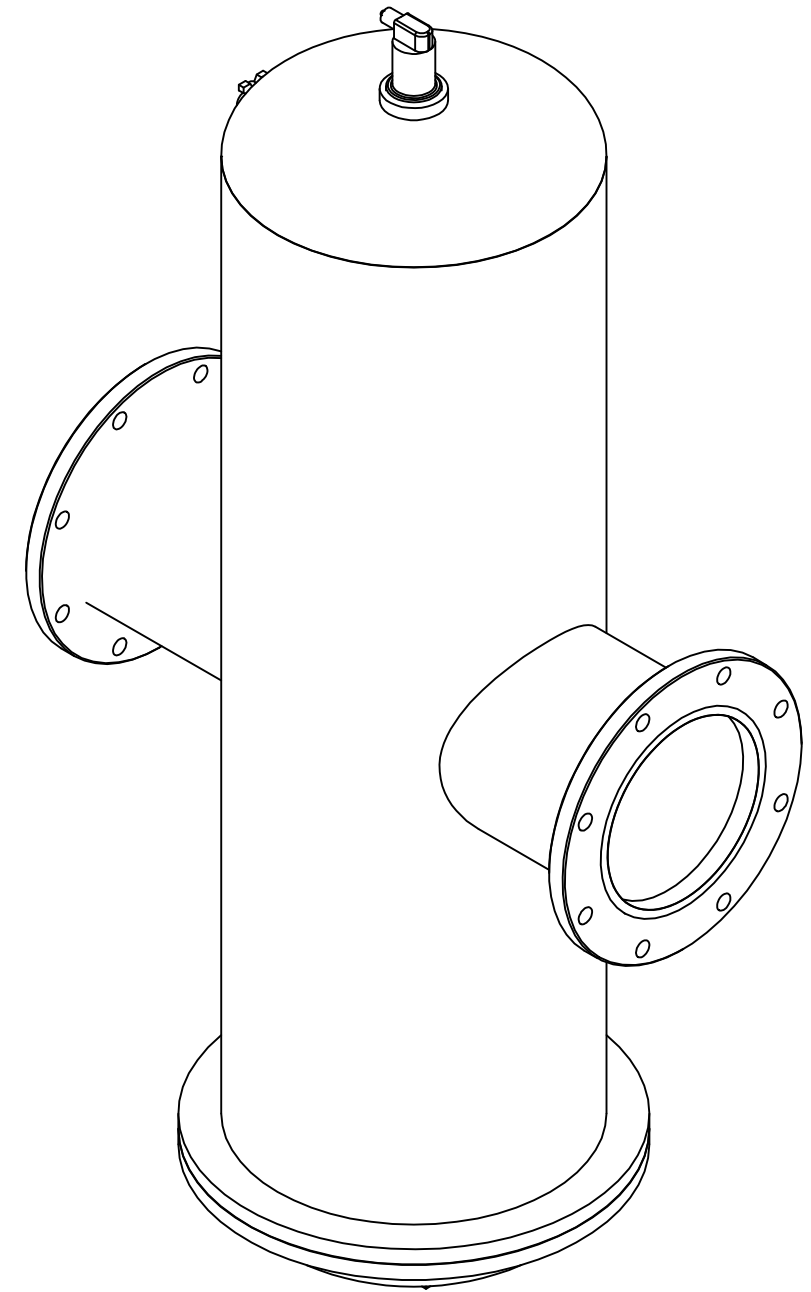


FLOW - 200 m³/h

VOLUME - 300 lt



	NAME	DATE			
DRAWN	nigel	04/03/13			
CHECKED					
ENG APPR			TITLE CX250C-RE - SEPARATOR		
MGR APPR					
UNLESS OTHERWISE SPECIFIED DIMENSIONS ARE IN MILLIMETERS ANGLES $\pm X.X^\circ$ 2 PL $\pm X.XX$ 3 PL $\pm X.XXX$			SIZE A3	DWG NO CX250C-RE - SEPARATOR	REV A
			FILE NAME: CX250C-RE.dft		
SCALE:		WEIGHT:	SHEET 1 OF 1		