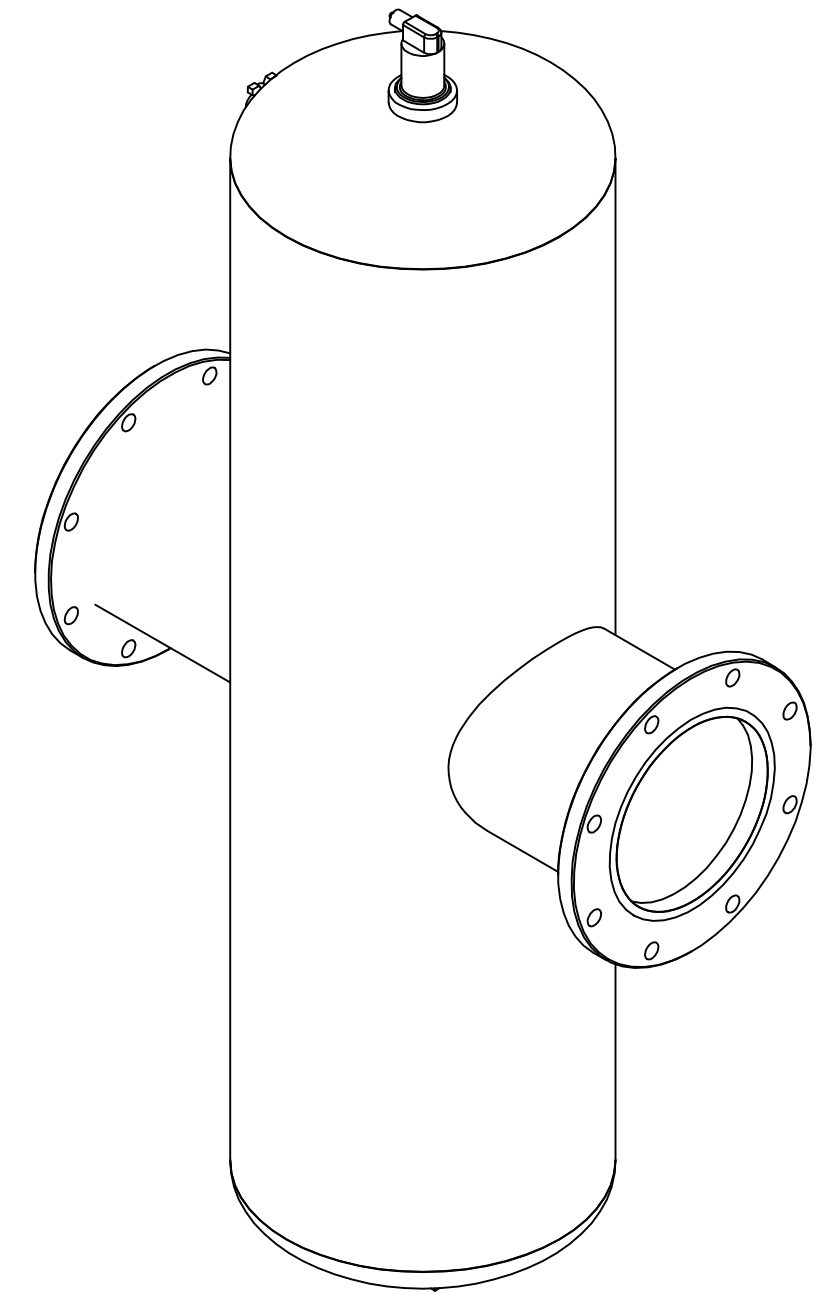


FLOW - 200 m<sup>3</sup>/h  
 VOLUME - 300 lt



	NAME	DATE	Dutypoint Systems		
DRAWN	nigel	04/03/13	TITLE CX250C - SEPARATOR		
CHECKED					
ENG APPR					
MGR APPR					
UNLESS OTHERWISE SPECIFIED DIMENSIONS ARE IN MILLIMETERS ANGLES ±X.X° 2 PL ±X.XX 3 PL ±X.XXX			SIZE A3	DWG NO CX250C - SEPARATOR	REV A
			FILE NAME: CX250C.dft		
			SCALE:	WEIGHT:	SHEET 1 OF 1