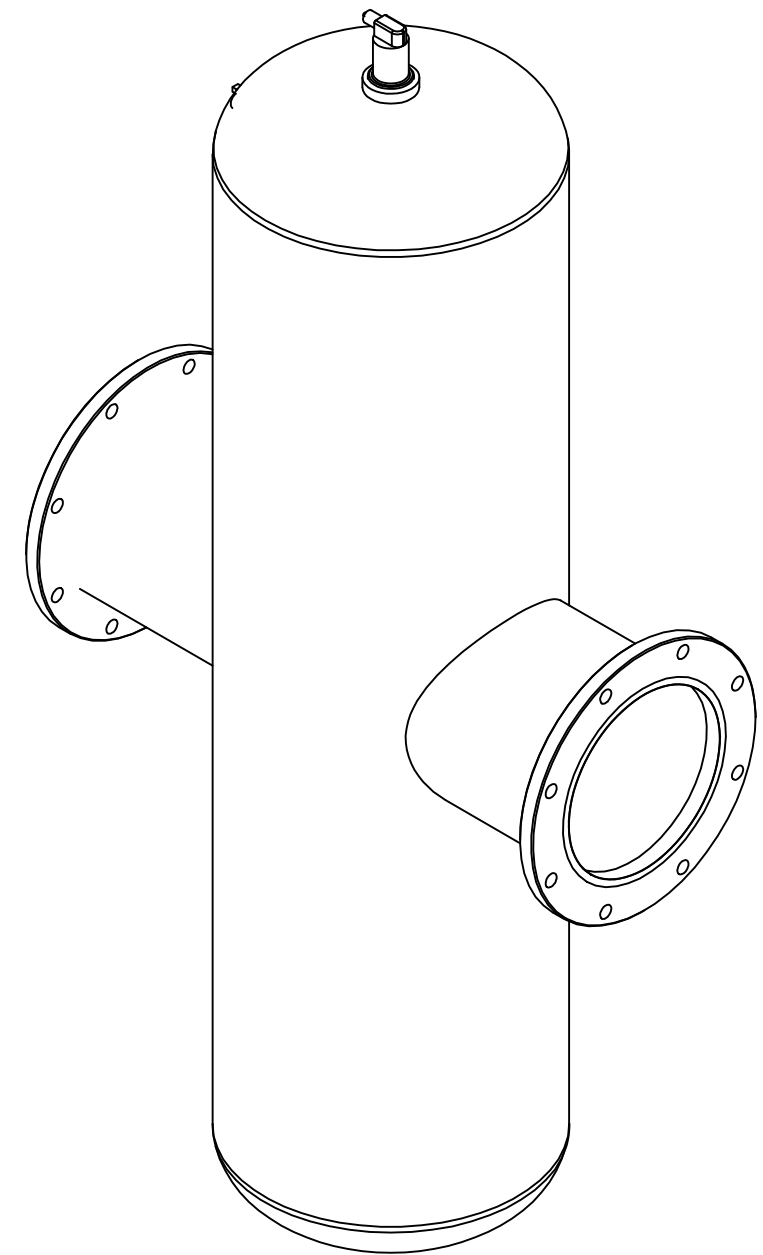


FLOW - 275 m³/h

VOLUME - 500 lt



	NAME	DATE			
DRAWN	nigel	04/03/13	TITLE CX250C - SEPARATOR		
CHECKED			SIZE A3	DWG NO CX300C - SEPARATOR	REV A
ENG APPR			FILE NAME: CX300C.dft		
MGR APPR			SCALE:	WEIGHT:	SHEET 1 OF 1
UNLESS OTHERWISE SPECIFIED DIMENSIONS ARE IN MILLIMETERS ANGLES ±X.X° 2 PL ±X.XX 3 PL ±X.XXX					