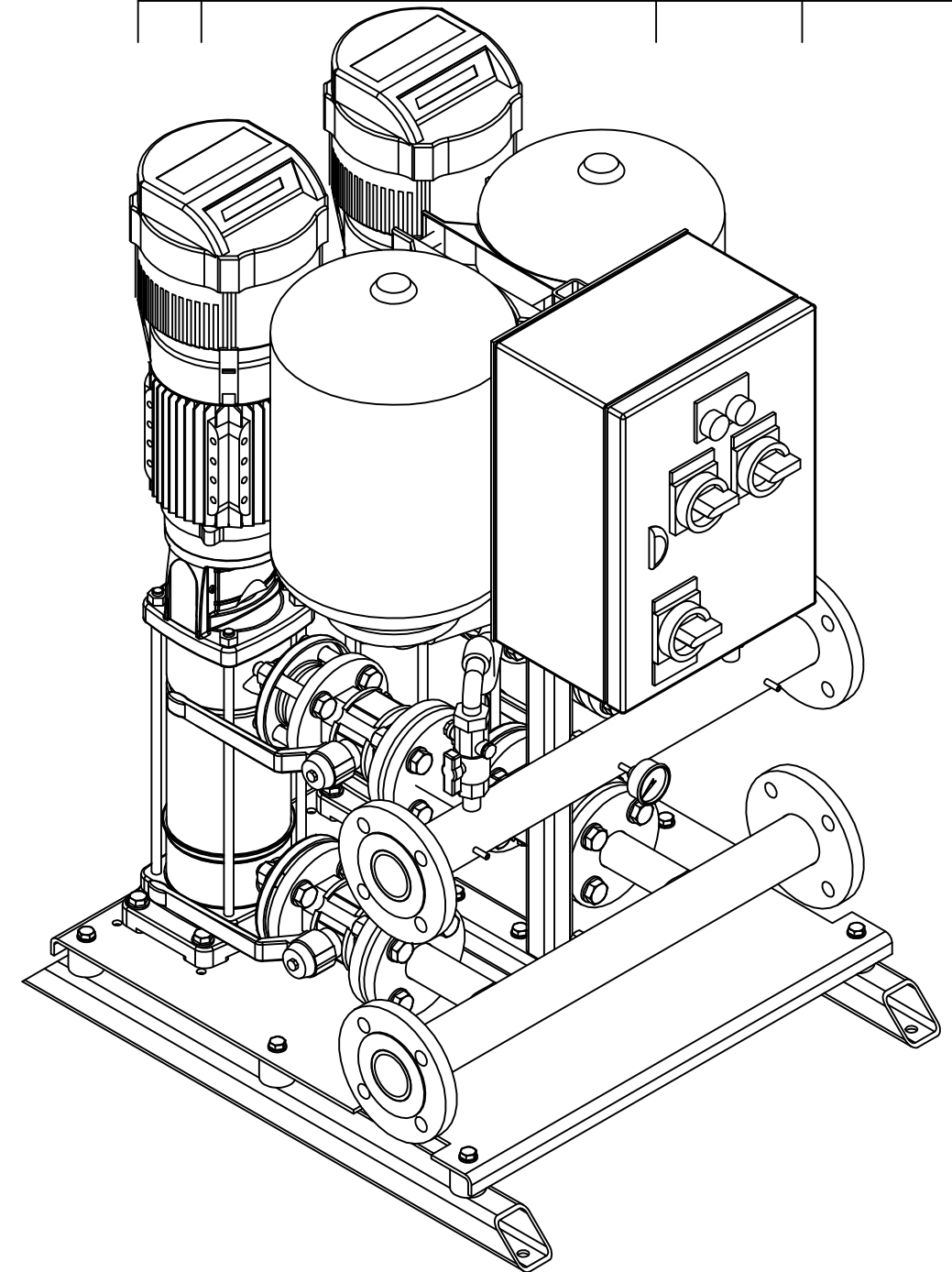


REVISION HISTORY			
REV	DESCRIPTION	DATE	APPROVED



	NAME	DATE
DRAWN	nigel	11/09/11
CHECKED		
ENG APPR		
MGR APPR		

Dutypoint
Systems

UNLESS OTHERWISE SPECIFIED DIMENSIONS ARE IN MILLIMETERS ANGLES ±X.X° 2 PL ±X.XX 3 PL ±X.XXX		SIZE A3	DWG NO VR2-0511-LHT	REV
TITLE		FILE NAME: VR2-0511-LHT.dft		
SCALE:	WEIGHT:	SHEET 1 OF 1		