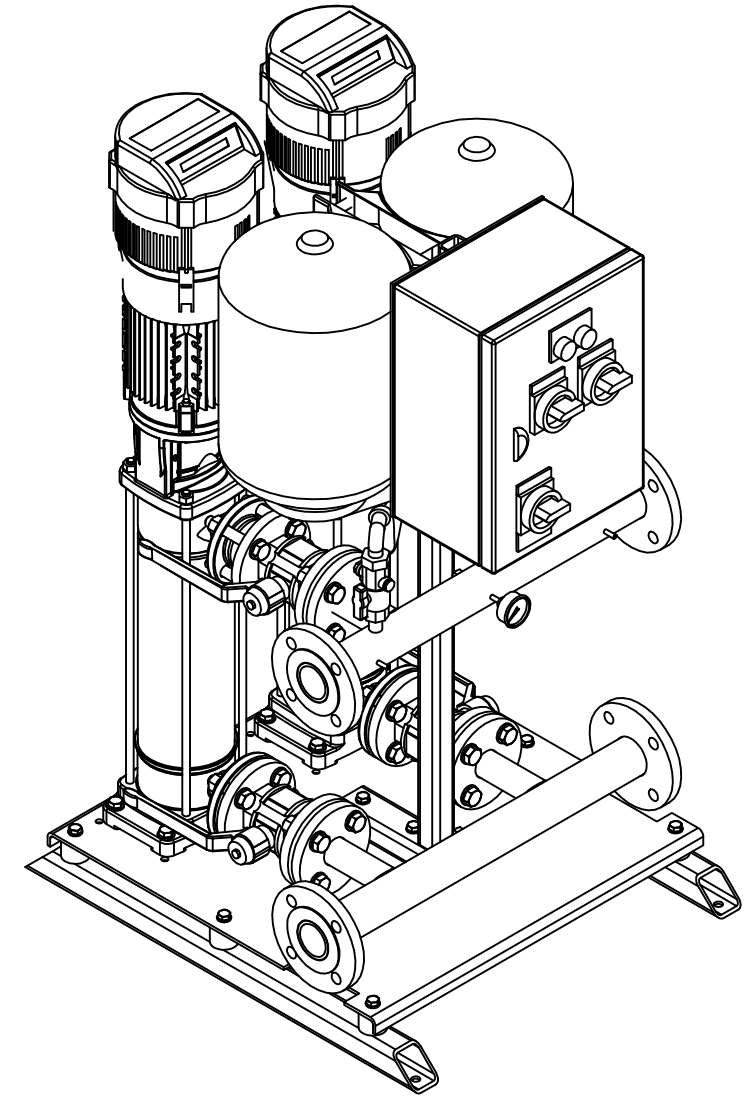


| REVISION HISTORY | | | |
|------------------|-------------|------|----------|
| REV | DESCRIPTION | DATE | APPROVED |
| | | | |



| | | | | | | |
|---|-------|----------|-----------------------------|---------|--------------|-----|
| | NAME | DATE | | | | |
| DRAWN | nigel | 10/30/12 | | | | |
| CHECKED | | | | | | |
| ENG APPR | | | | | | |
| MGR APPR | | | TITLE | SIZE | DWG NO | REV |
| UNLESS OTHERWISE SPECIFIED DIMENSIONS ARE IN MILLIMETERS ANGLES ±X.X° 2 PL ±X.XX 3 PL ±X.XXX | | | | A3 | VR2-0518-LHT | |
| | | | FILE NAME: VR2-0518-LHT.dft | | | |
| | | | SCALE: | WEIGHT: | SHEET 1 OF 1 | |