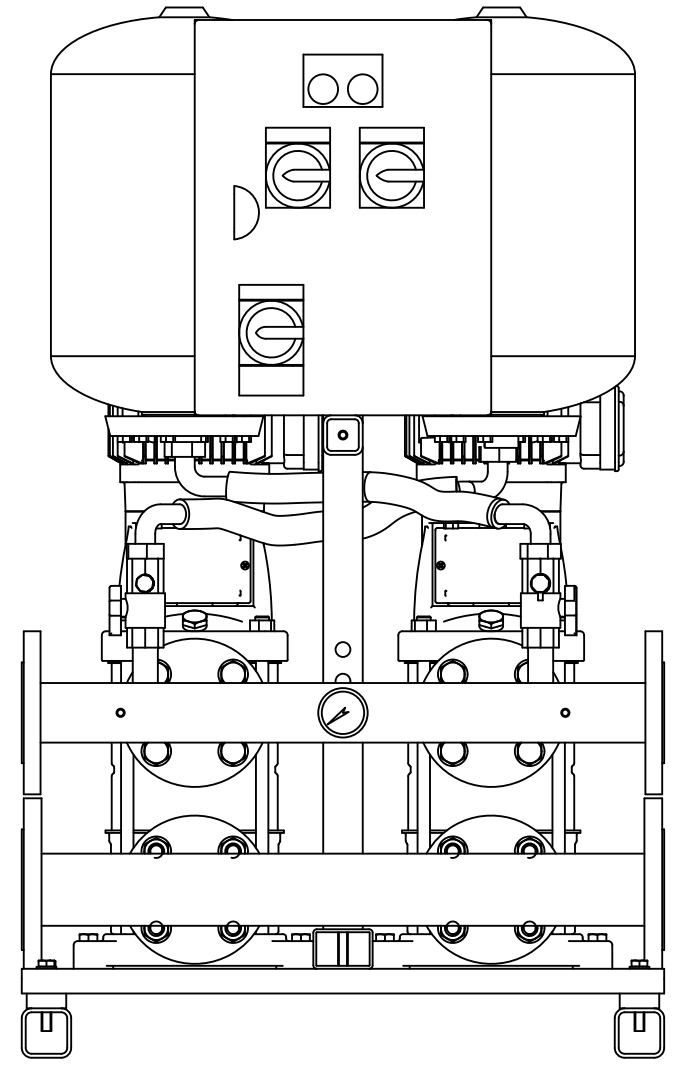
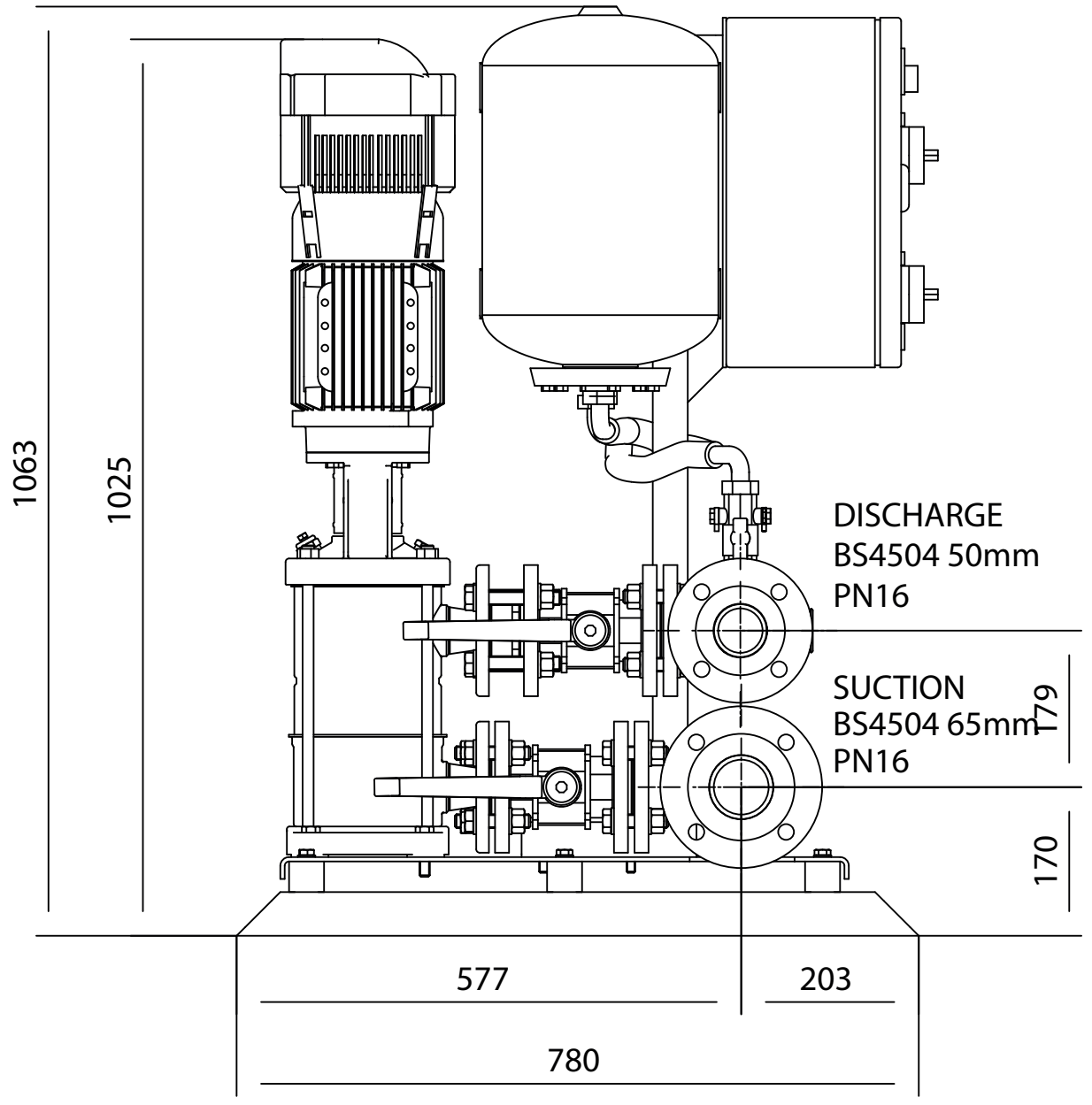
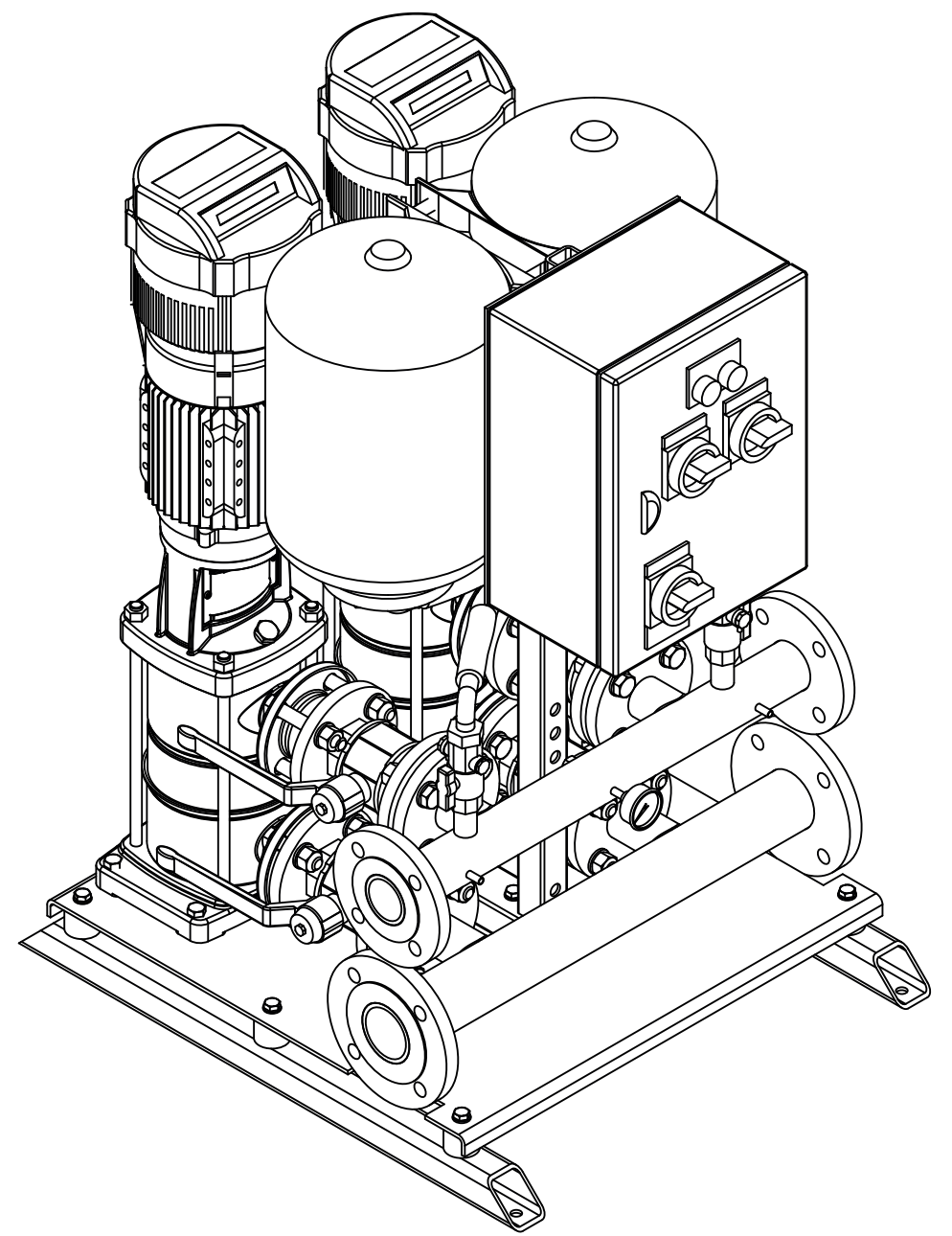


REVISION HISTORY			
REV	DESCRIPTION	DATE	APPROVED



DRAWN	NAME	DATE		
CHECKED	nigel	09/11/11		
ENG APPR			TITLE	
MGR APPR				
UNLESS OTHERWISE SPECIFIED			SIZE	DWG NO
DIMENSIONS ARE IN MILLIMETERS			A3	VR2-1004-LHM
ANGLES $\pm X.X^\circ$			FILE NAME: VR2-1004-LHM.dft	
2 PL $\pm X.XX$ 3 PL $\pm X.XXX$			SCALE:	WEIGHT: SHEET 1 OF 1