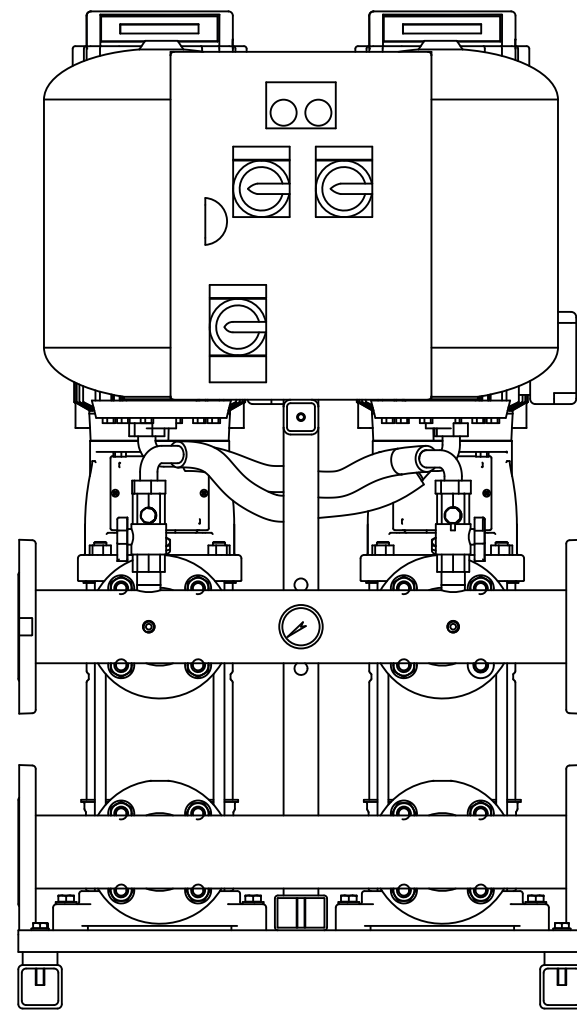
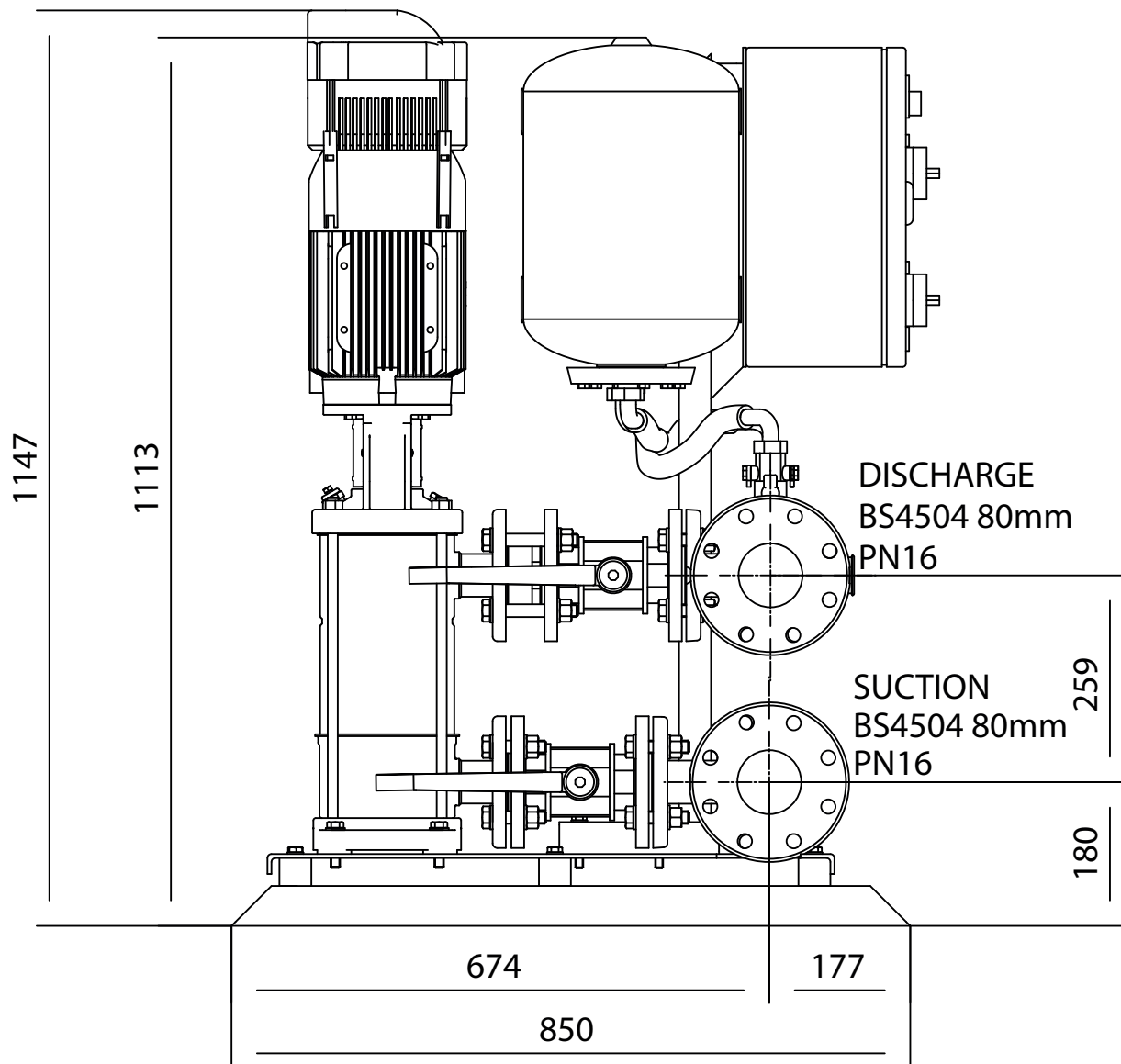
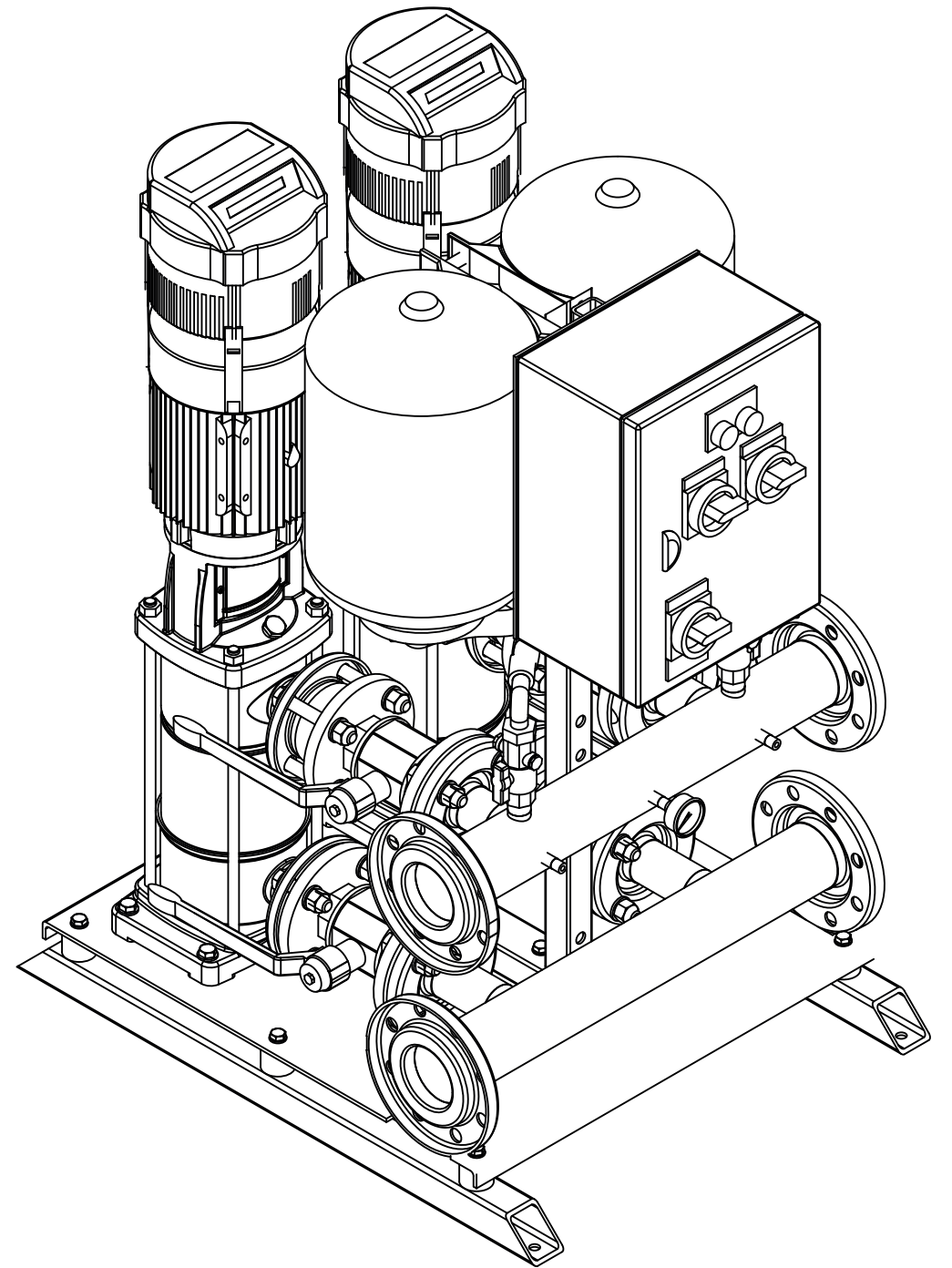
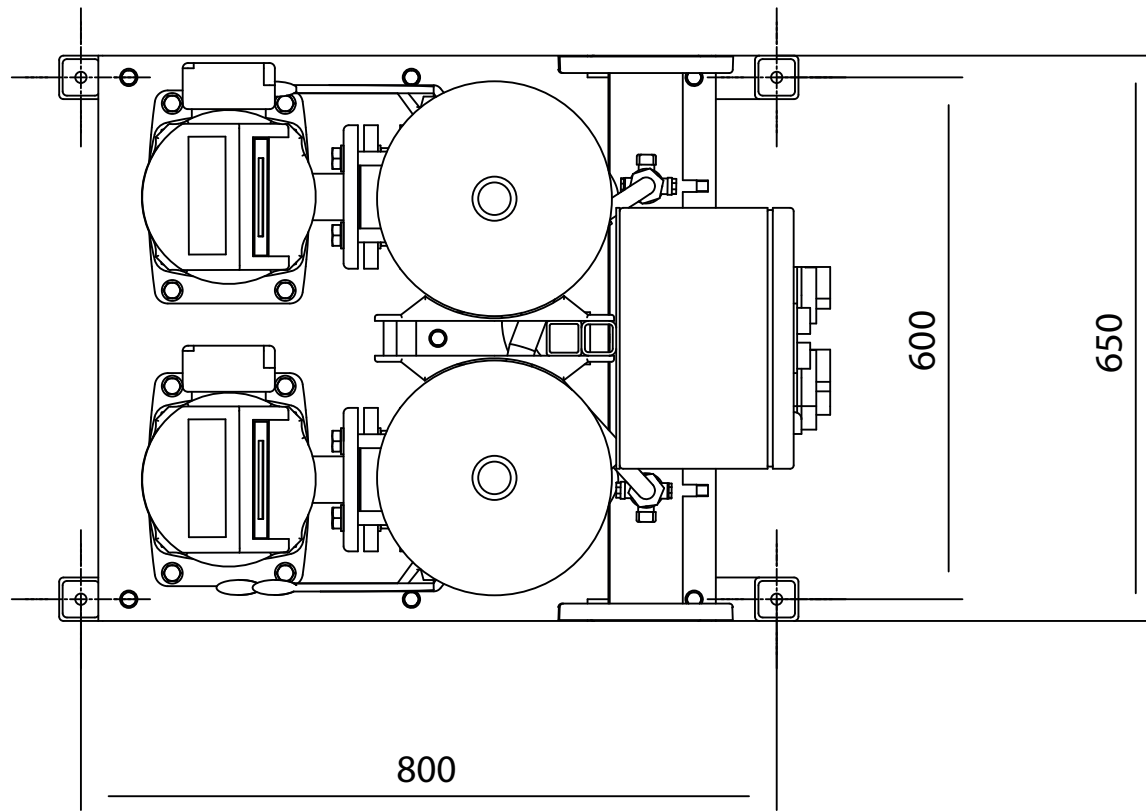


| REVISION HISTORY | | | |
|------------------|-------------|------|----------|
| REV | DESCRIPTION | DATE | APPROVED |
| | | | |



| | | | | |
|----------------------------------|-------|-----------------------------|--------------|--------------|
| | NAME | DATE | | |
| DRAWN | nigel | 11/11/11 | | |
| CHECKED | | | | |
| ENG APPR | | | TITLE | |
| MGR APPR | | | | |
| UNLESS OTHERWISE SPECIFIED | | SIZE | DWG NO | REV |
| DIMENSIONS ARE IN MILLIMETERS | | A3 | VR2-2205-LHT | |
| ANGLES $\pm X.X^\circ$ | | FILE NAME: VR2-2205-LHT.dft | | |
| 2 PL $\pm X.XX$ 3 PL $\pm X.XXX$ | | SCALE: | WEIGHT: | SHEET 1 OF 1 |