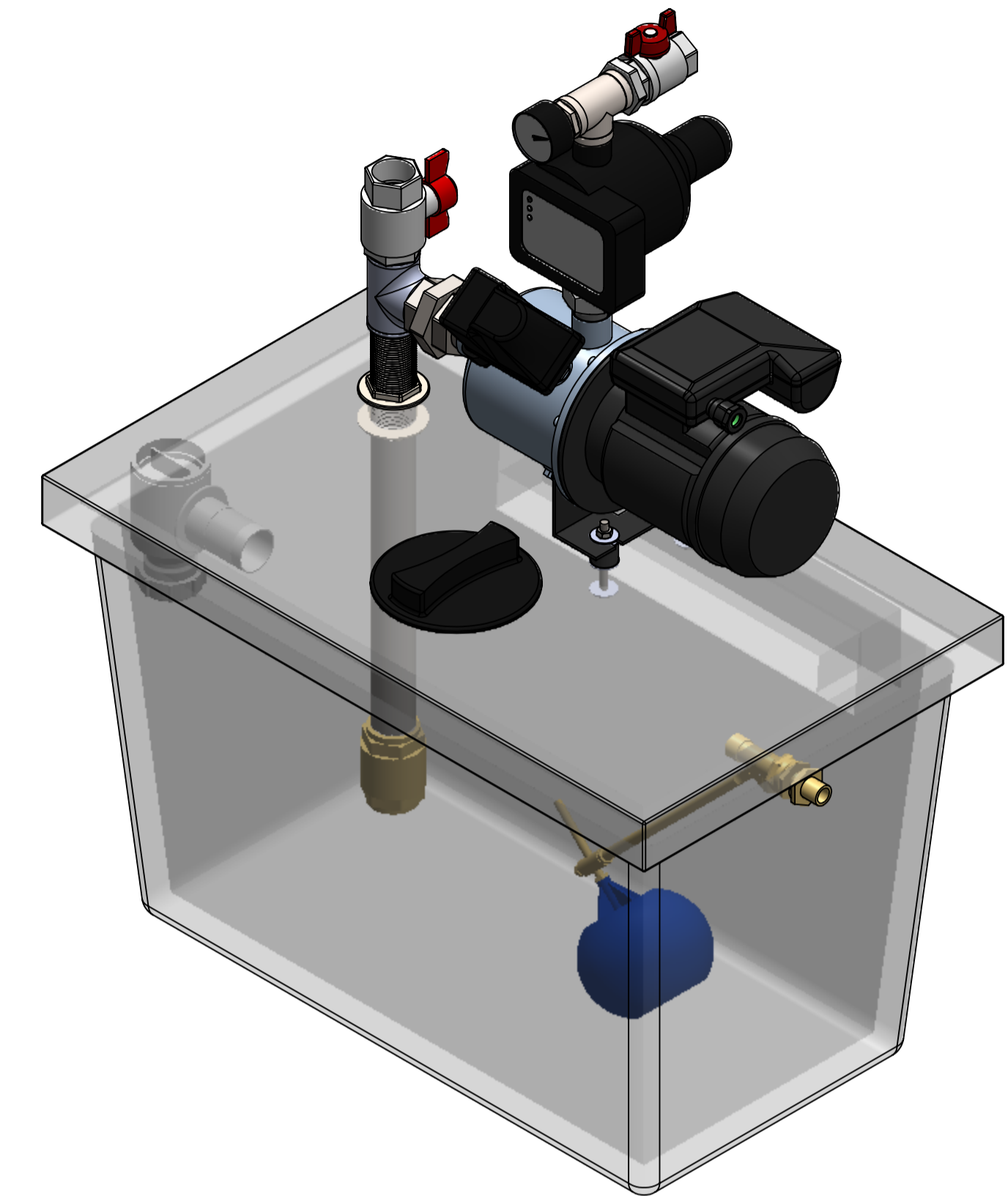
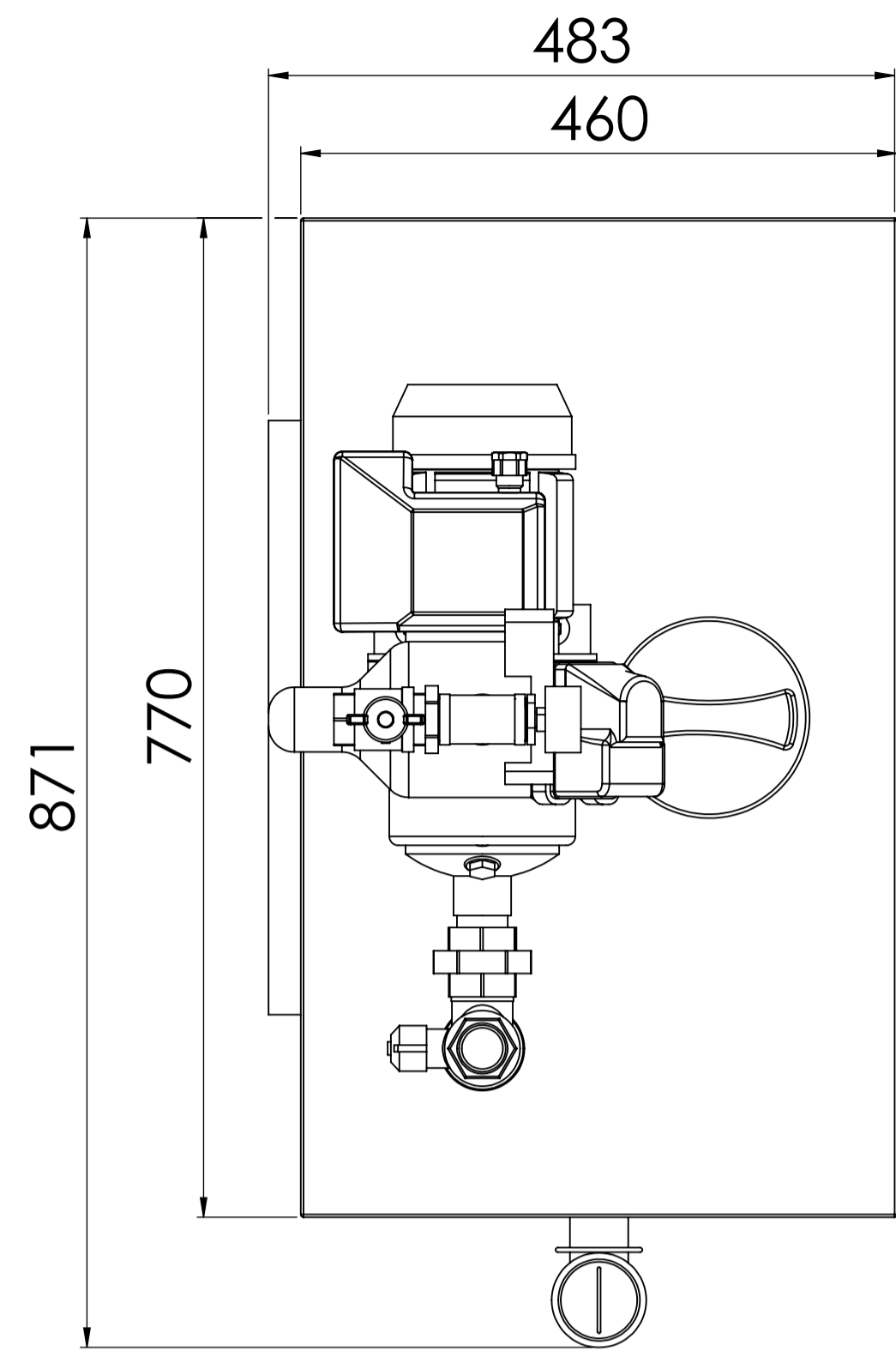
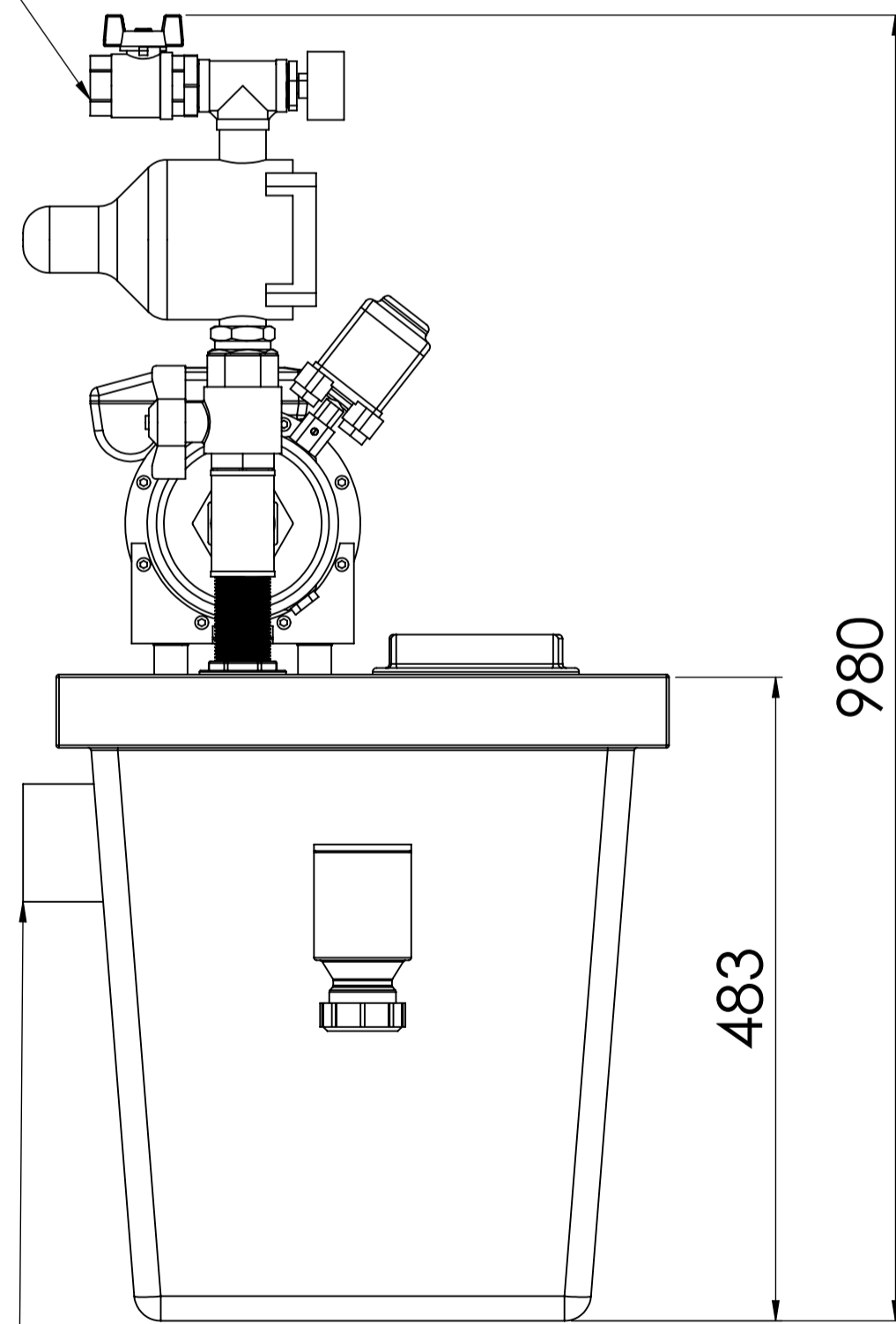


COMPANY	
PRINT NAME	
SIGNATURE	
DATE	



1" BSP Discharge



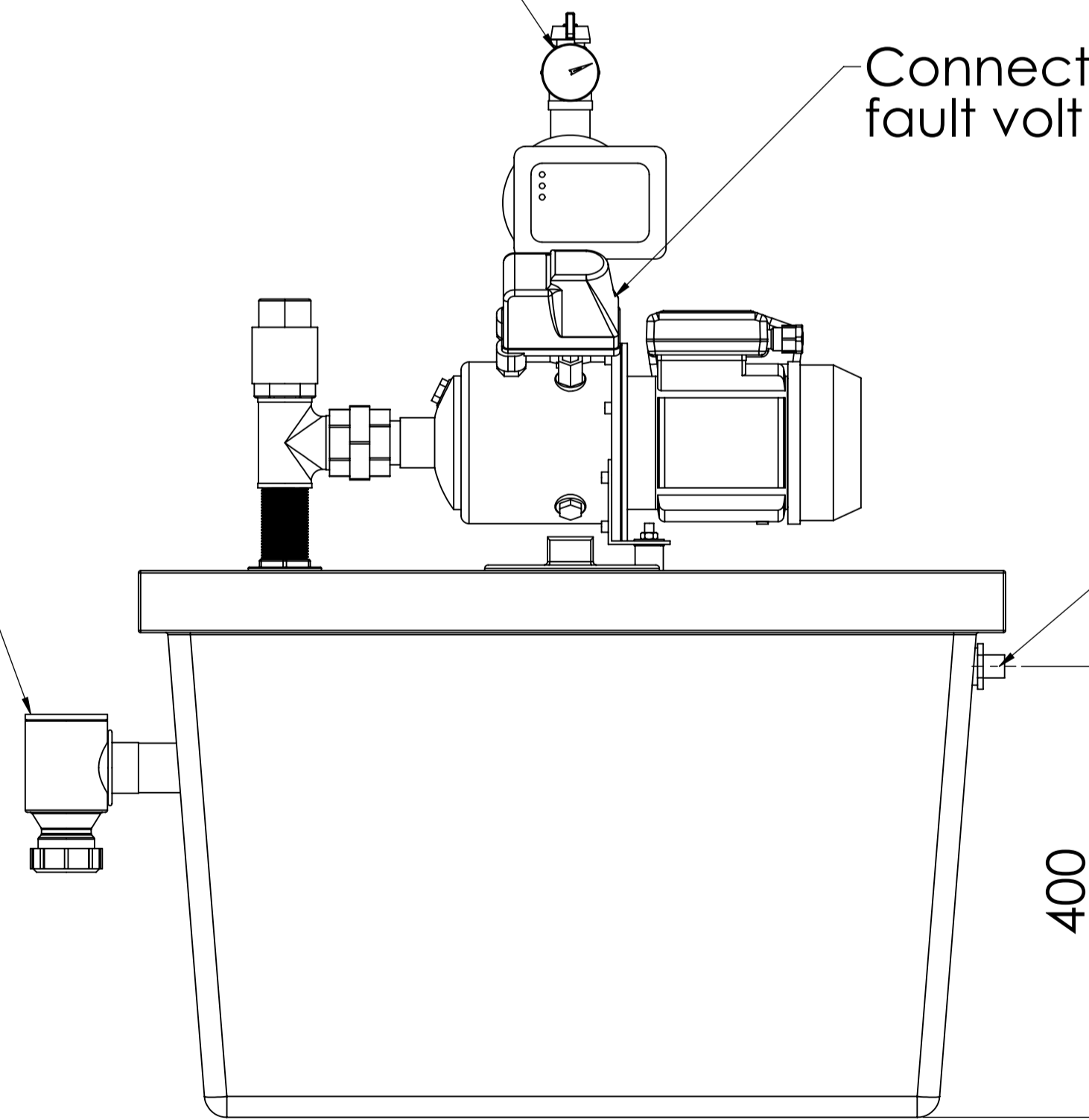
Spill weir for Fluid Category 5 protection (AB Air gap)

Pressure Gauge

Connections for common fault volt free contact

25mm Overflow

0.5" BSP Inlet



	INITIALS	DATE	<p>THIRD ANGLE</p>	DO NOT SCALE DRAWING	SHEET SIZE	A1
	DRAWN	-		-	CUSTOMER: -	
	CHKD	-	-	TITLE: Unibreak		
	ISSD	-	-	DWG NO.	FP1-45M	REVISION
<p>This drawing is the property of DUTYPOINT. Copyright is reserved by them and the drawing issued on the condition that it must not be used for any purpose other than that for which it is supplied and not to be copied, reproduced, retained or disclosed to any unauthorised person either wholly or in part without the consent in writing of DUTYPOINT</p>			<p>NOTES</p> <p>THERE MAY BE SLIGHT VARIATIONS TO DRAWINGS DUE TO MANUFACTURING AND ASSEMBLY TOLERANCES</p>	SCALE: 1:5		SHEET 1 OF 1
<p>Shepherd Road, Gloucester GL2 5EL (T): 01452 300 110</p>				WEIGHT: Kg		

ZONE	REV.	DESCRIPTION	DATE	APPROVED
		REVISIONS		