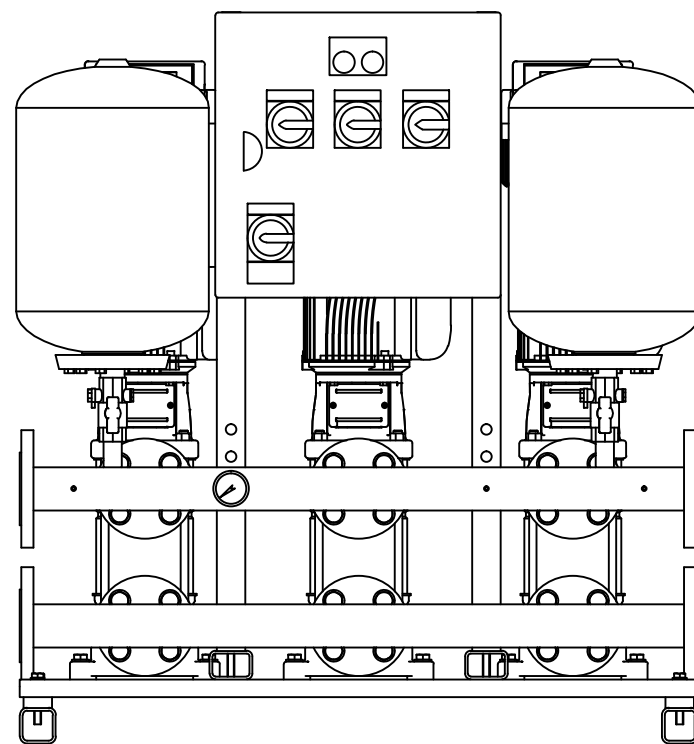
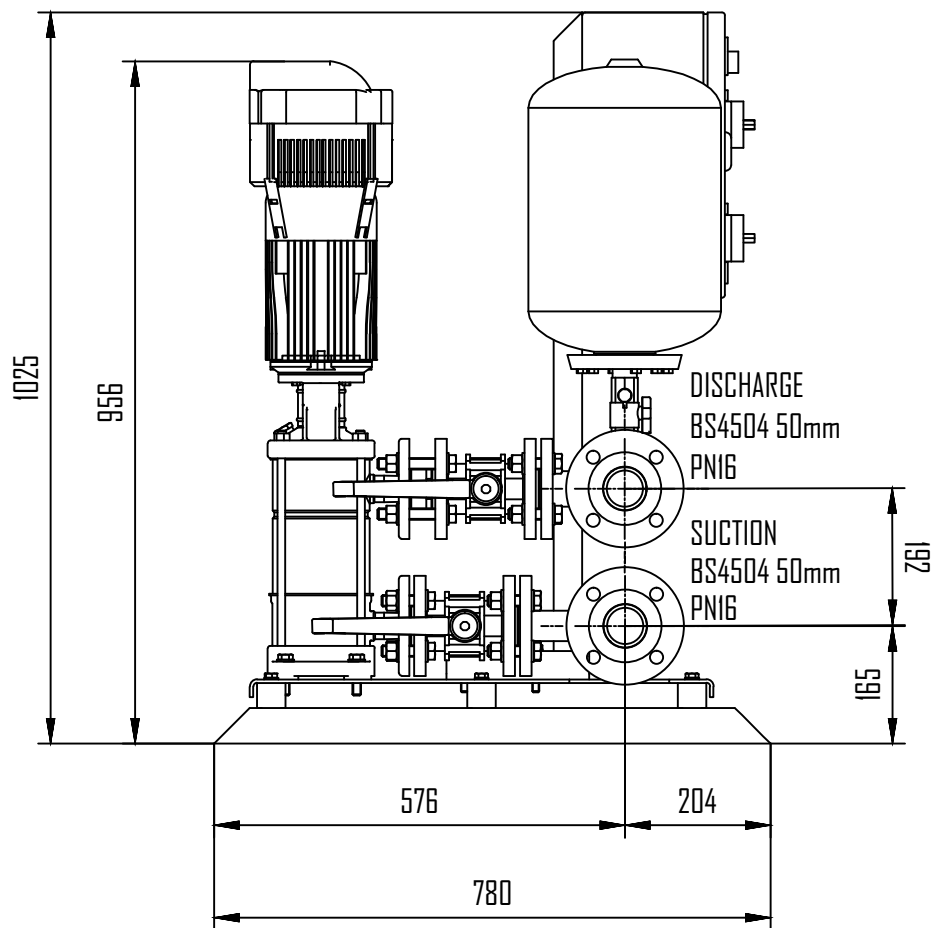
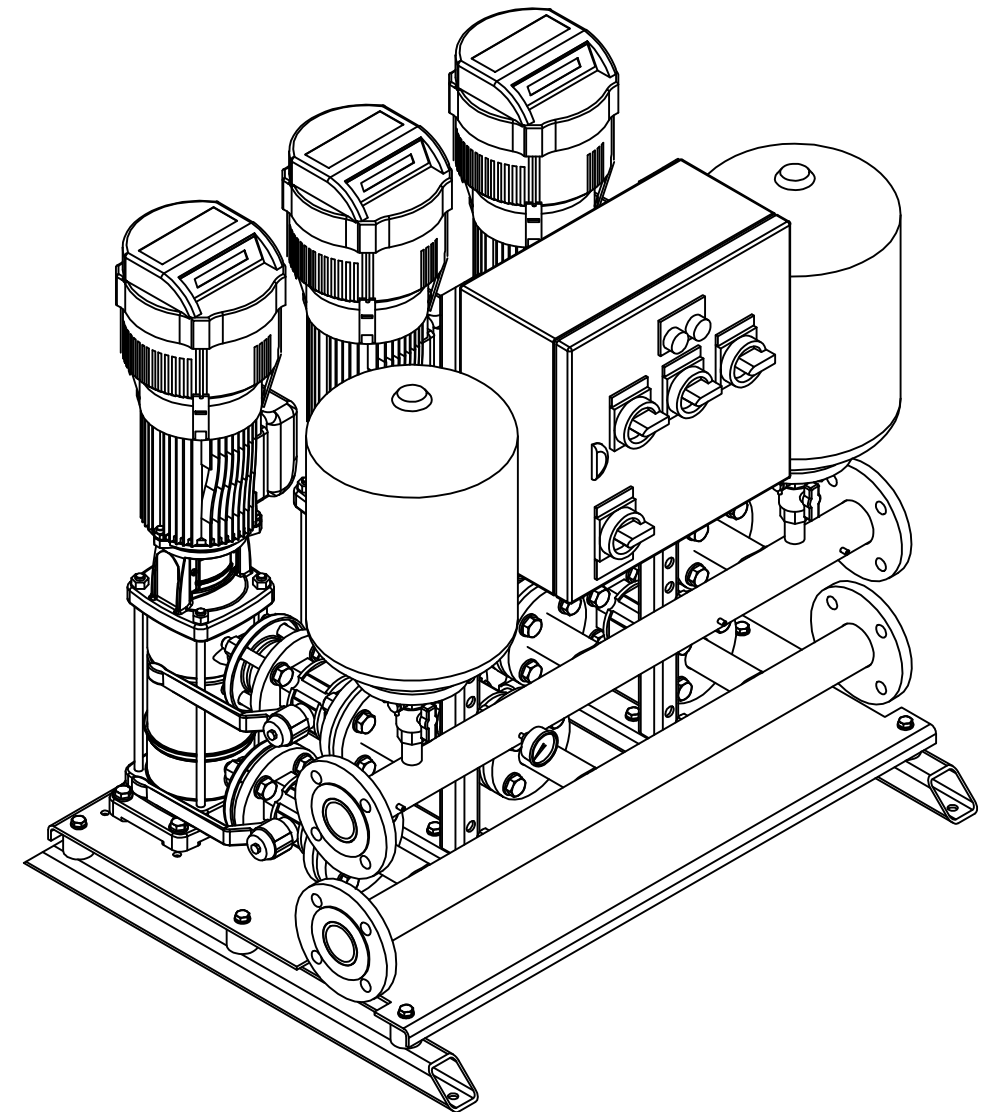


| REVISION HISTORY | | | |
|------------------|-------------|------|----------|
| REV | DESCRIPTION | DATE | APPROVED |
| | | | |



| NAME | DATE | Dutypoint Systems | | |
|---|-------|-------------------|-----------------------------|------------------------|
| DRAWN | nigel | 09/11/11 | TITLE | |
| CHECKED | | | | |
| ENG APPR | | | | |
| MGR APPR | | | | |
| UNLESS OTHERWISE SPECIFIED DIMENSIONS ARE IN MILLIMETERS ANGLES ±X.X° 2 PL ±X.XX 3 PL ±X.XXX | | | SIZE A3 | DWG NO VR3-0508-LHM |
| | | | REV | |
| | | | FILE NAME: VR3-0508-LHM.dft | |
| SCALE: | | WEIGHT: | SHEET 1 OF 1 | |