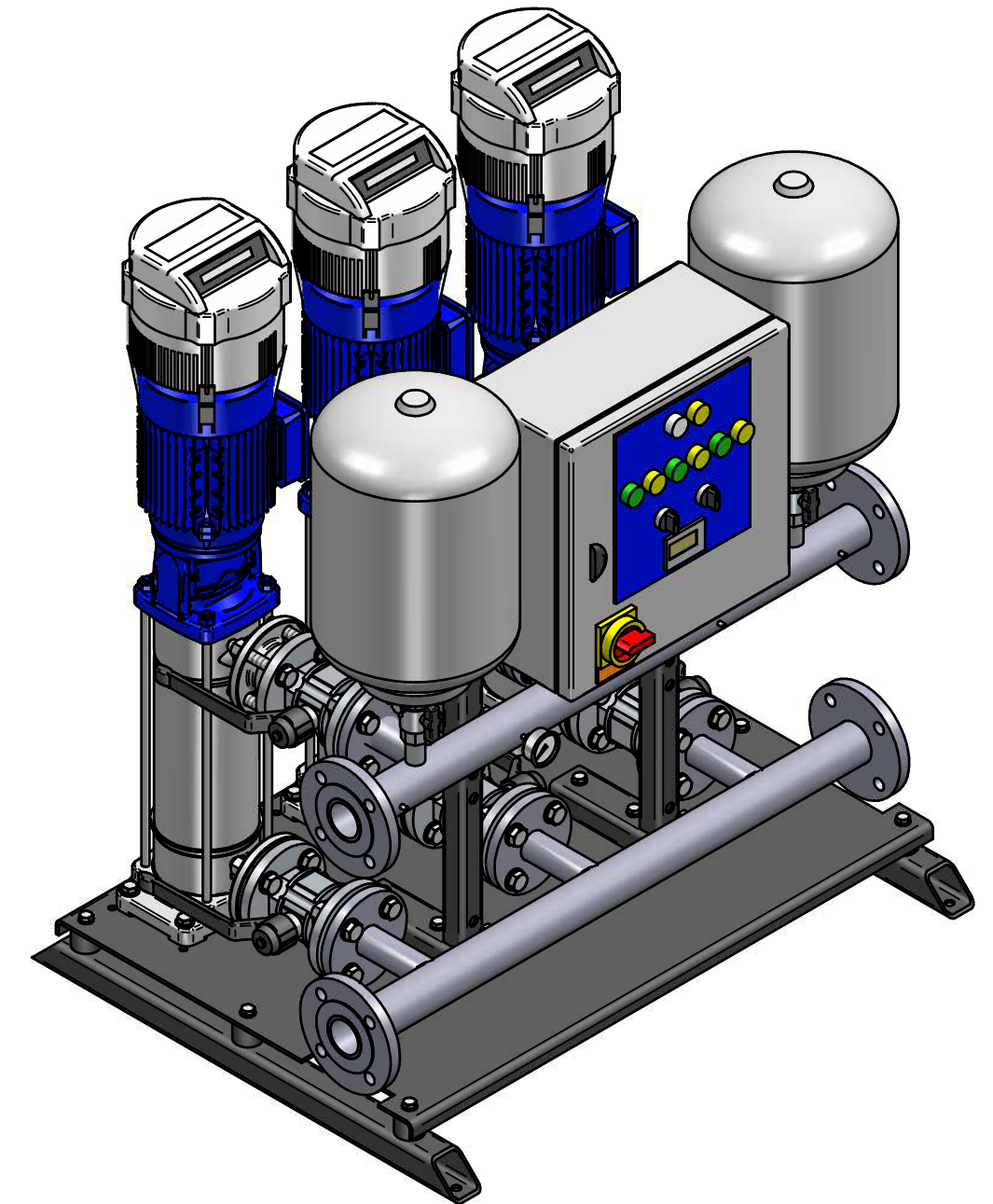
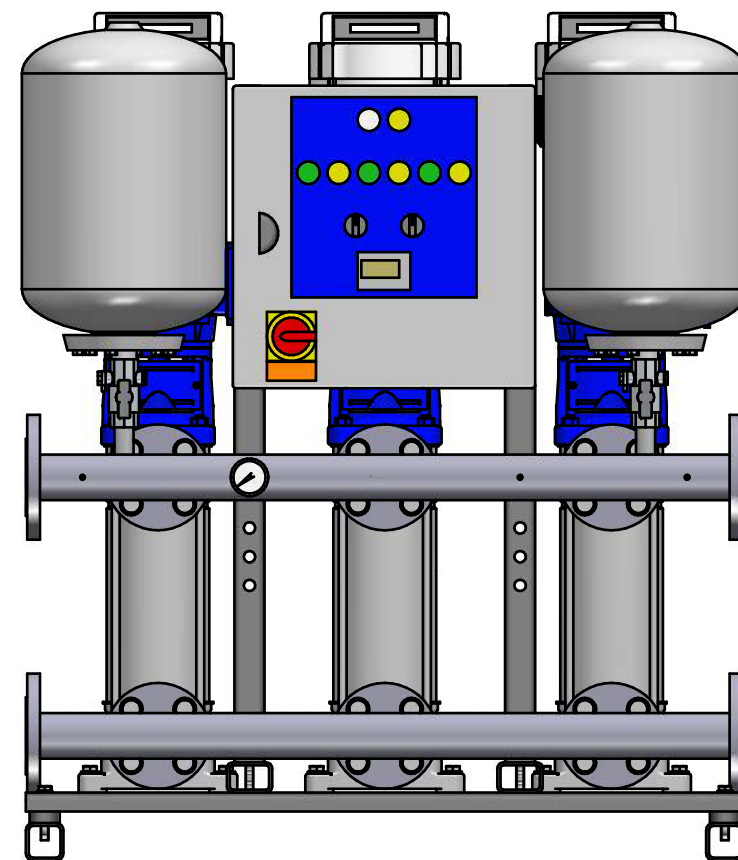
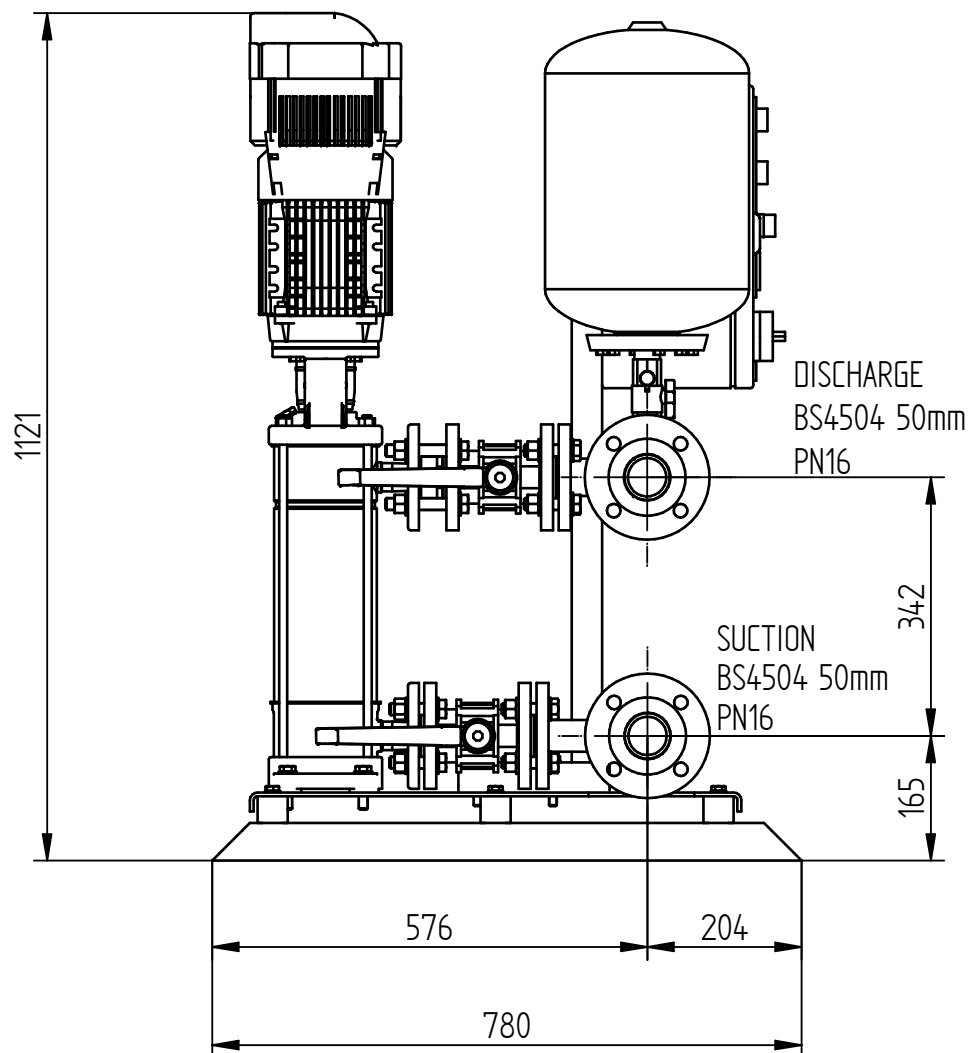
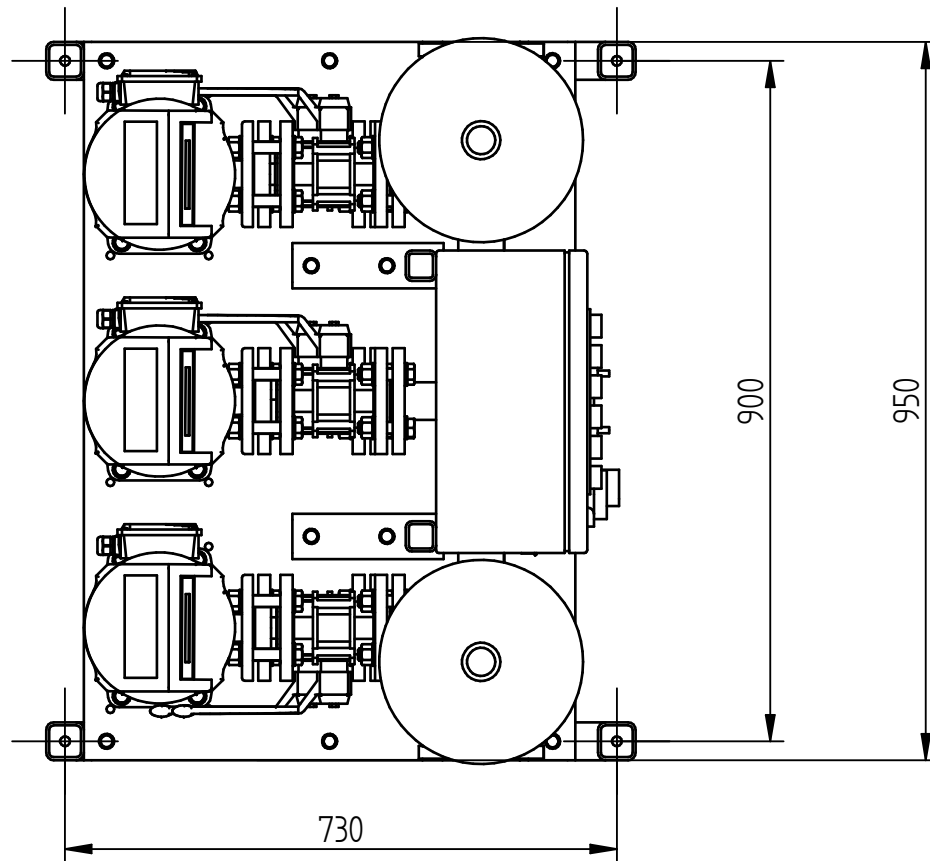



REVISION HISTORY

REV	DESCRIPTION	DATE	APPROVED



DRAWN	NAME	DATE			
CHECKED	nigel	06/02/13			
ENG APPR					
MGR APPR					
UNLESS OTHERWISE SPECIFIED DIMENSIONS ARE IN MILLIMETERS ANGLES ±X.X° 2 PL ±X.XX 3 PL ±X.XXX			SIZE	DWG NO	REV
			A3	VR3-0514-LHT	
			FILE NAME: VR3-0514-LHT.dft		
			SCALE:	WEIGHT:	SHEET 1 OF 1