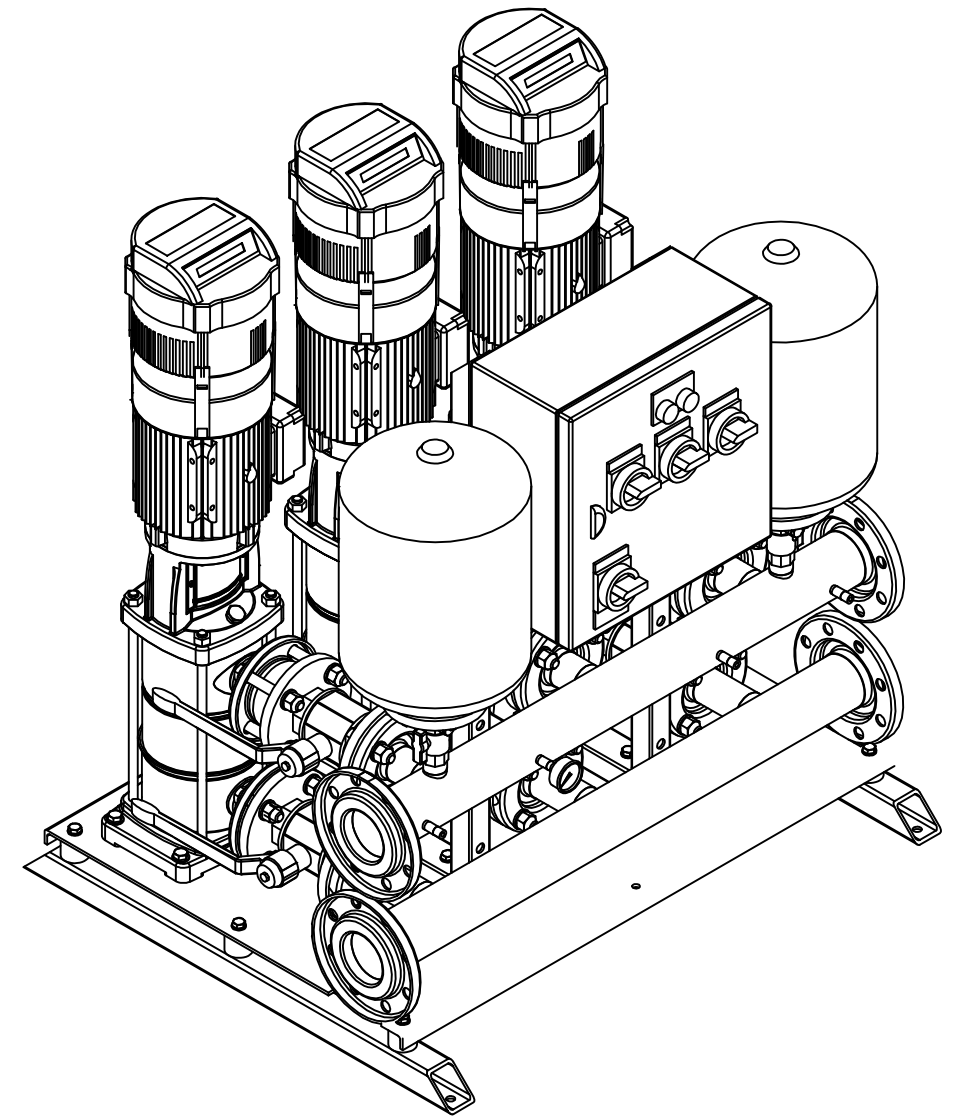


| REVISION HISTORY |             |      |          |
|------------------|-------------|------|----------|
| REV              | DESCRIPTION | DATE | APPROVED |
|                  |             |      |          |



| NAME  | DATE  | Dutypoint Systems           |                        |              |
|---|-------|-----------------------------|------------------------|--------------|
| DRAWN   | nigel | 09/11/11                    | TITLE                  |              |
| CHECKED   |       |                             |                        |              |
| ENG APPR  |       |                             |                        |              |
| MGR APPR  |       |                             |                        |              |
| UNLESS OTHERWISE SPECIFIED<br>DIMENSIONS ARE IN MILLIMETERS<br>ANGLES ±X.X°<br>2 PL ±X.XX 3 PL ±X.XXX |       | SIZE<br>A3                  | DWG NO<br>VR3-1503-LHT | REV          |
|   |       | FILE NAME: VR3-1503-LHT.dft |                        |              |
|   |       | SCALE:                      | WEIGHT:                | SHEET 1 OF 1 |