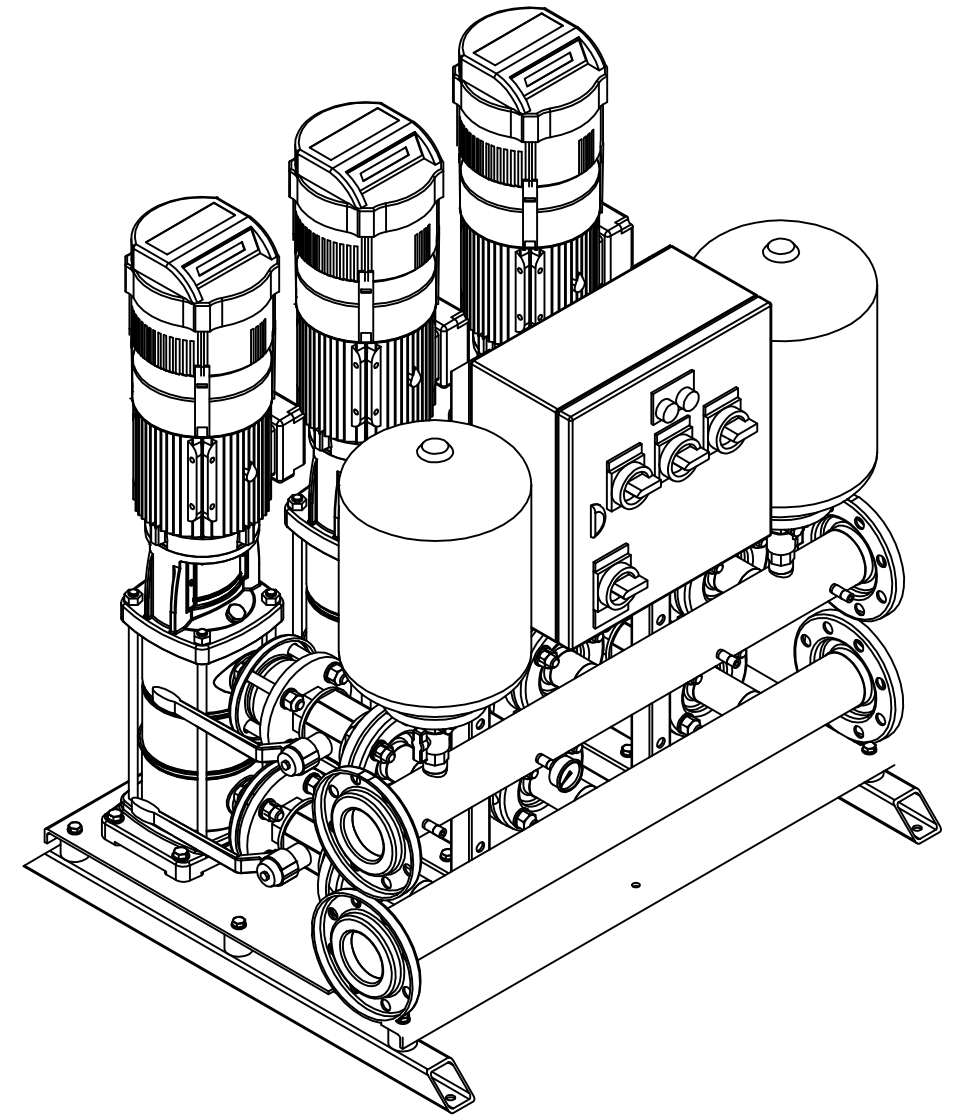


REVISION HISTORY			
REV	DESCRIPTION	DATE	APPROVED



NAME	DATE	Dutypoint Systems		
DRAWN: nigel	09/11/11	TITLE		
CHECKED		SIZE: A3	DWG NO: VR3-1504-LHT	REV
ENG APPR		FILE NAME: VR3-1504-LHT.dft		
MGR APPR		SCALE:	WEIGHT:	SHEET 1 OF 1
UNLESS OTHERWISE SPECIFIED DIMENSIONS ARE IN MILLIMETERS ANGLES ±X.X° 2 PL ±X.XX 3 PL ±X.XXX				