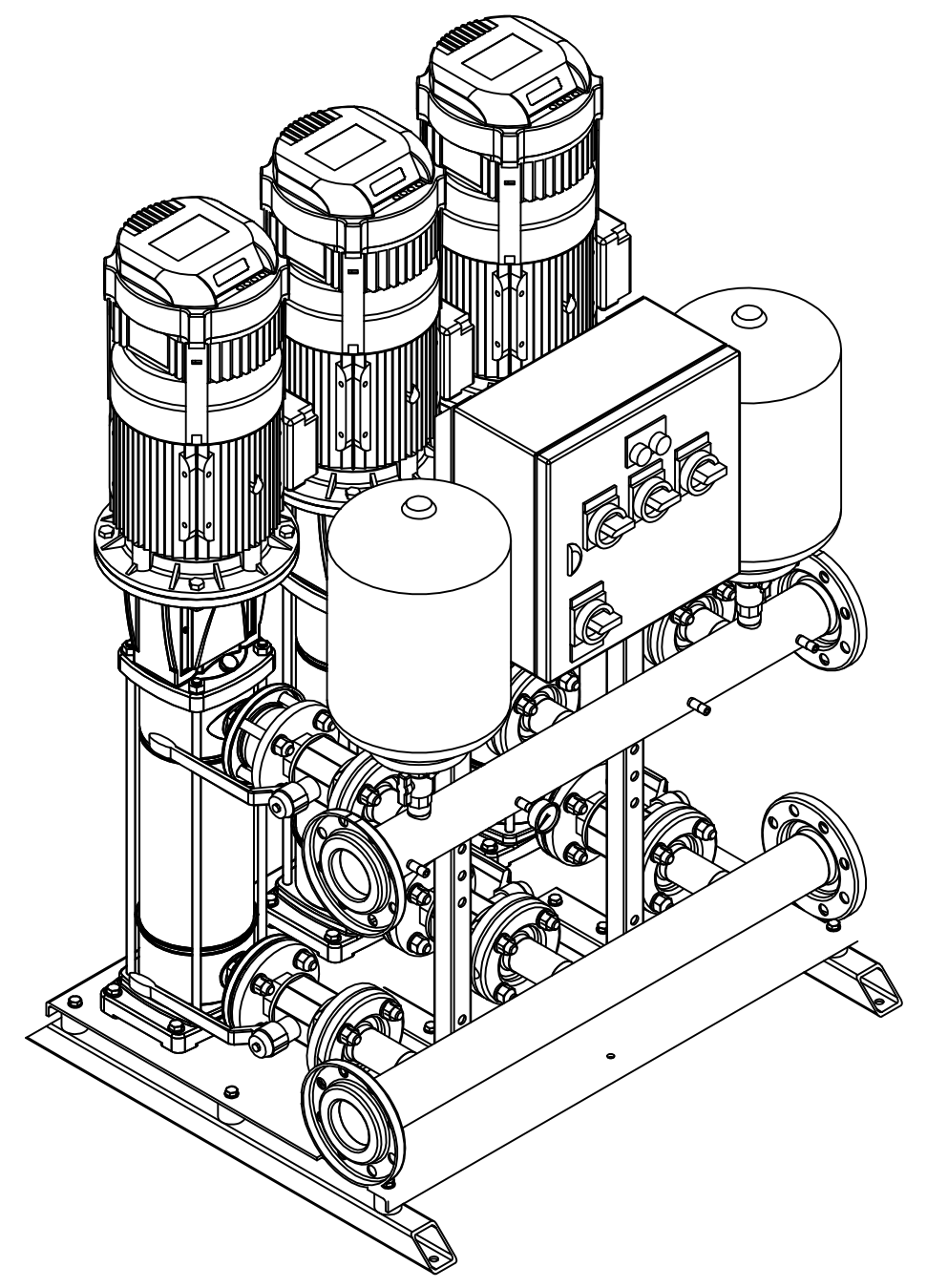


REVISION HISTORY			
REV	DESCRIPTION	DATE	APPROVED



NAME	DATE			
DRAWN nigel	09/11/11			
CHECKED		TITLE		
ENG APPR		SIZE A3	DWG NO VR3-1509-LHT	REV
MGR APPR		FILE NAME: VR3-1509-LHT.dft		
UNLESS OTHERWISE SPECIFIED DIMENSIONS ARE IN MILLIMETERS ANGLES ±X.X° 2 PL ±X.XX 3 PL ±X.XXX		SCALE:	WEIGHT:	SHEET 1 OF 1