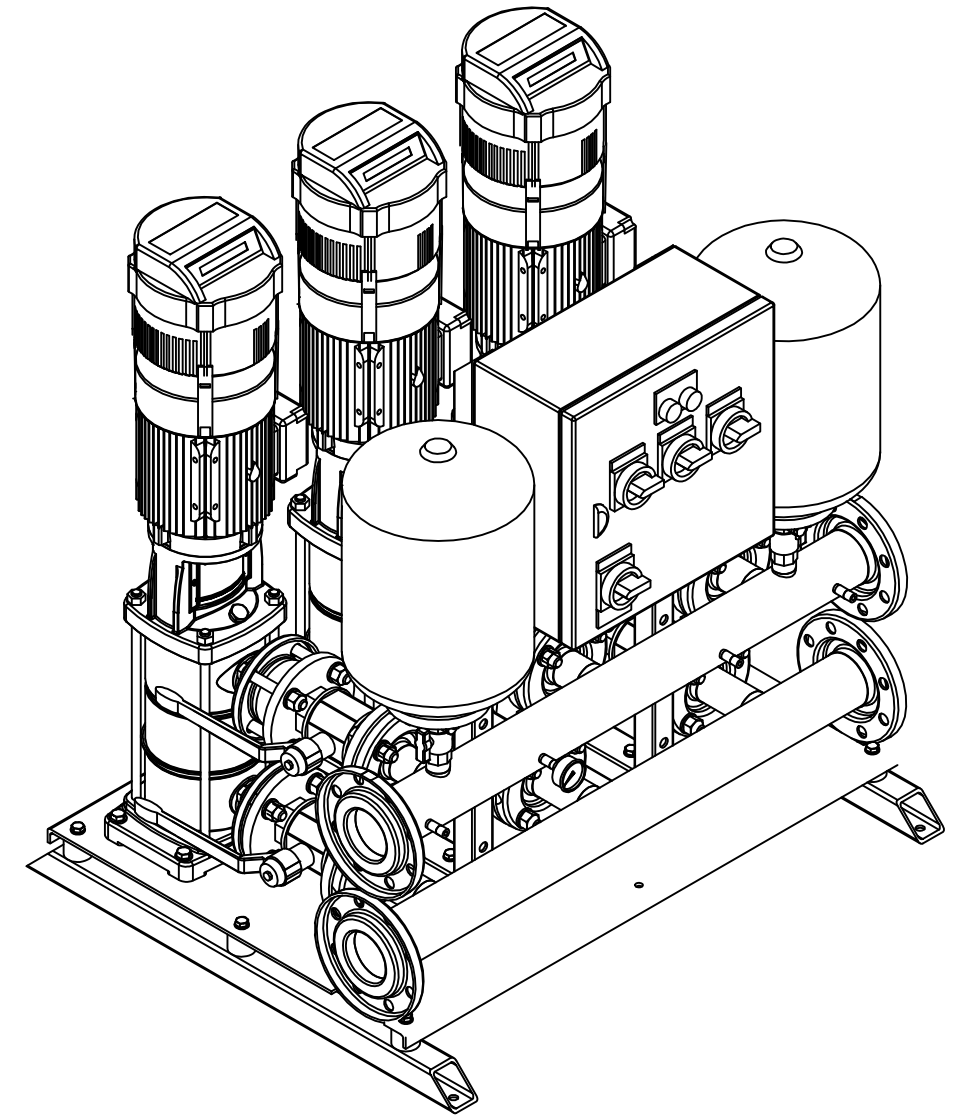


REVISION HISTORY			
REV	DESCRIPTION	DATE	APPROVED



NAME	DATE	Dutypoint Systems		
DRAWN	nigel	11/11/11	TITLE	
CHECKED				
ENG APPR				
MGR APPR				
UNLESS OTHERWISE SPECIFIED DIMENSIONS ARE IN MILLIMETERS ANGLES ±X.X° 2 PL ±X.XX 3 PL ±X.XXX		SIZE A3	DWG NO VR3-2204-LHT	REV
		FILE NAME: VR3-2204-LHT.dft		
		SCALE:	WEIGHT:	SHEET 1 OF 1