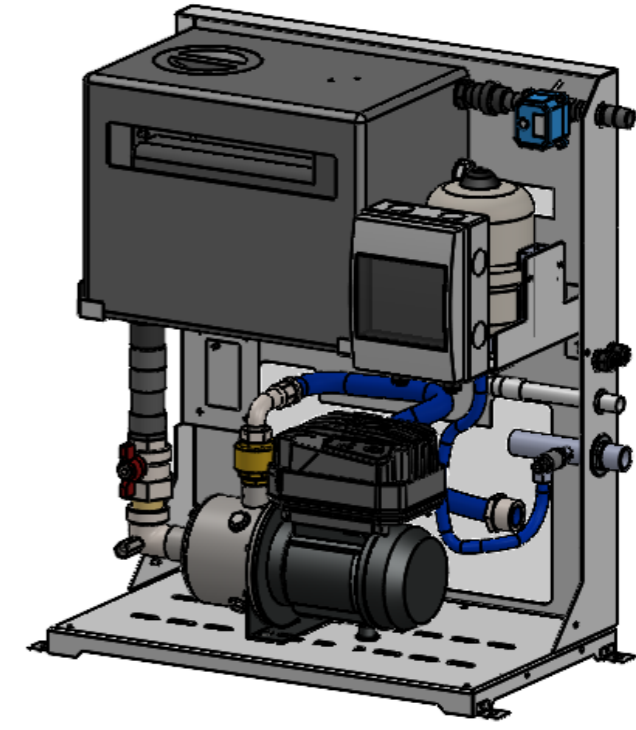
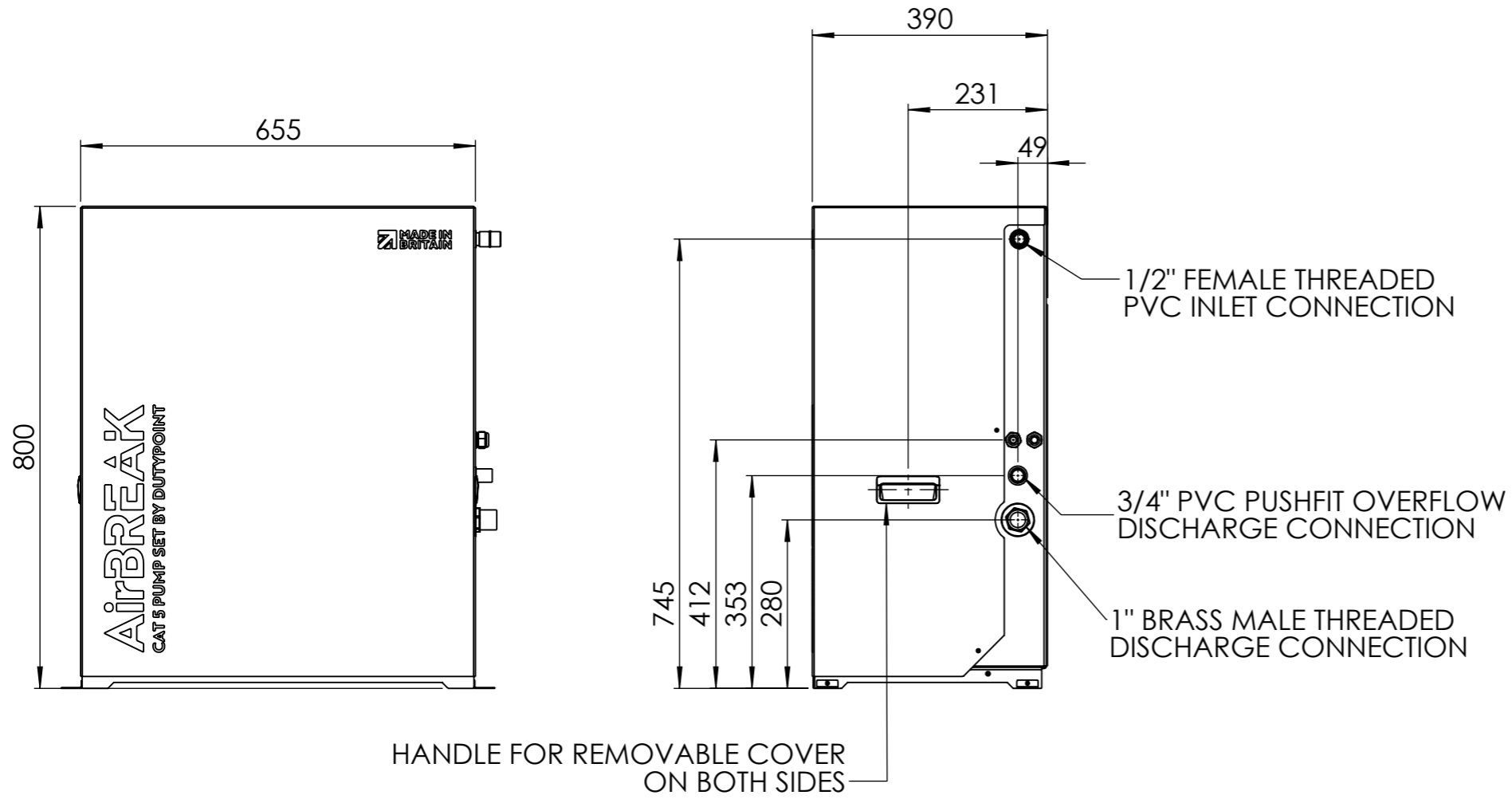
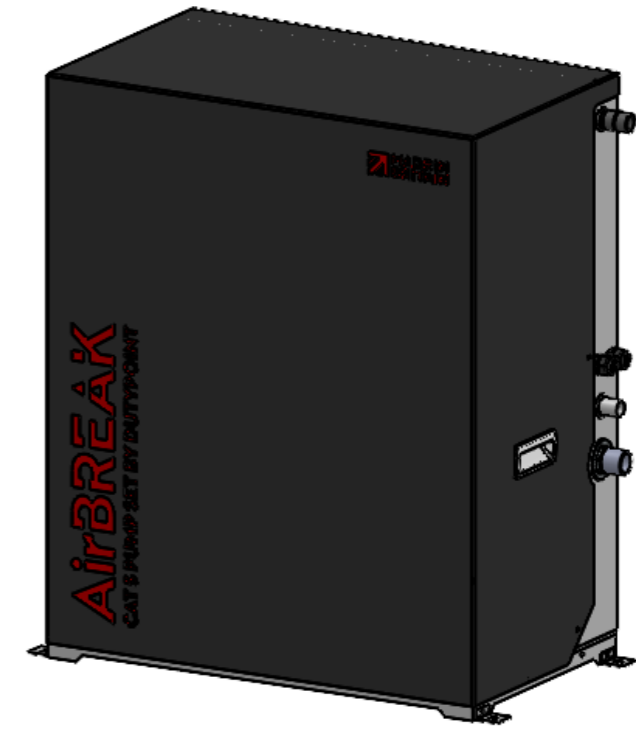
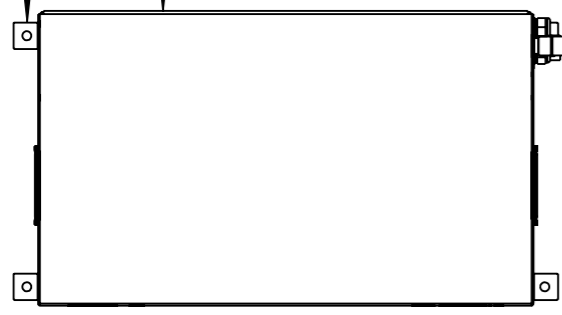
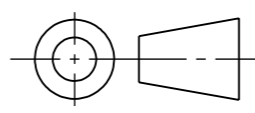


4X TRANSPORTATION BRACKETS  
 OPTIONAL BRACKET FOR WALL MOUNT



<p><b>DUTYPOINT</b> <small>SETTING THE BAR</small></p> <p>SHEPHERD ROAD, GLOUCESTER GL2 5EL (T): 01452 300 110</p>	DRAWING NO:	<b>10-005684-000</b>	REV:	<b>01.00</b>
	BIM NO:	XXX-XXX-XX-XX-XX-X-XX_XX_XX-XXXX-XX-XXX		
<p>PROPRIETARY &amp; CONFIDENTIAL DO NOT SCALE THIS DRAWING IF IN DOUBT</p>  <p>THIRD ANGLE</p>	DESCRIPTION:	AIRBREAK VC1 - 03 - 005 M		
	PROJECT NAME:			
	MODEL NO.	AIRBREAK VC1 - 03 - 005 M		
	SERIAL NO.		SHEET NO.	1 OF 1
	PROJECT NO.		SCALE:	1:10
	DRAWN BY:		23/01/2024	SHEET SIZE: A3
APPROVED BY:			WEIGHT KG:	