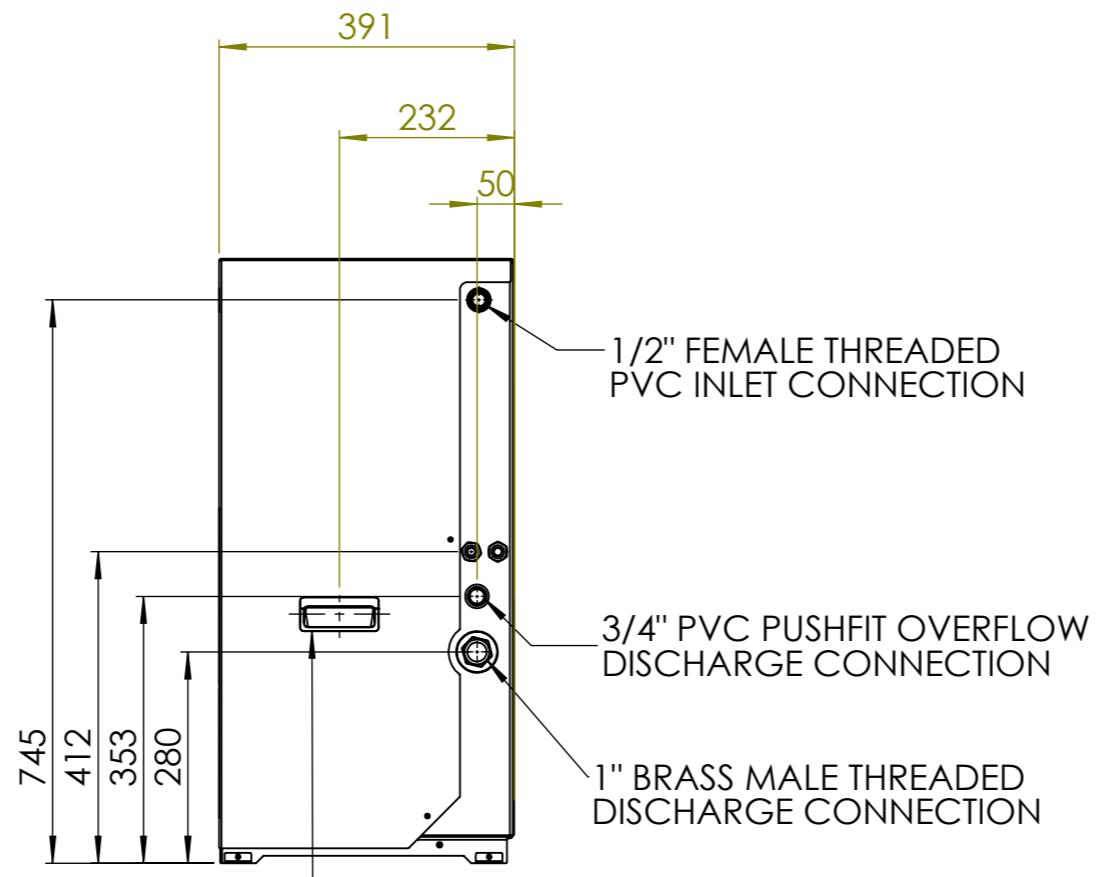
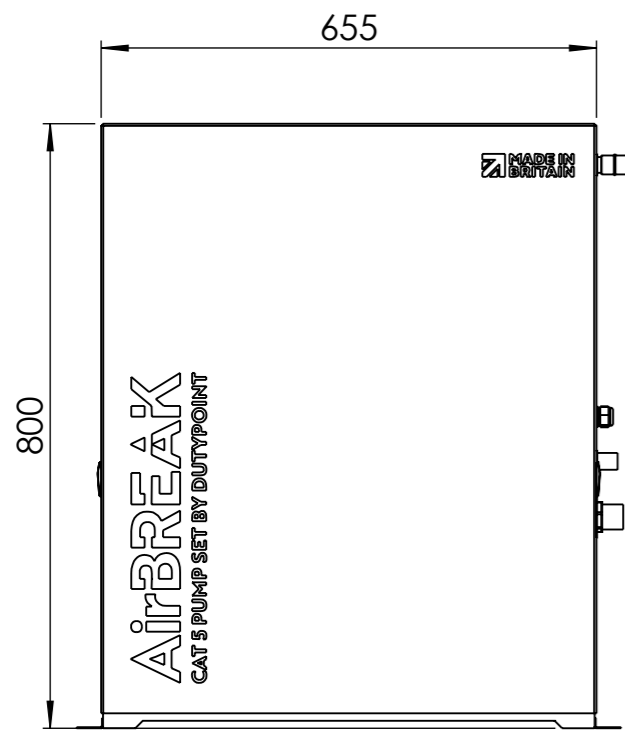
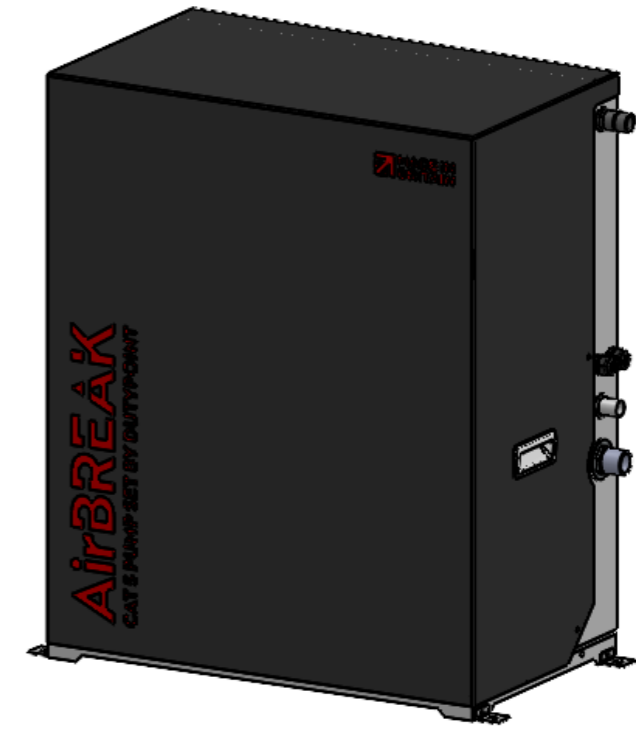
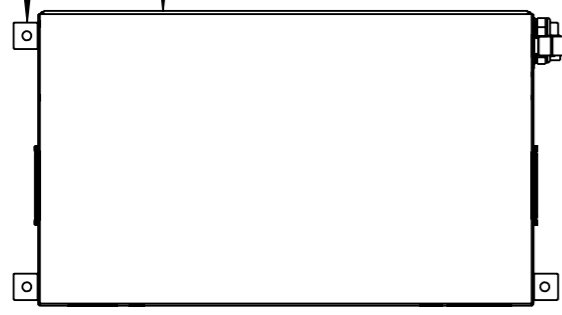
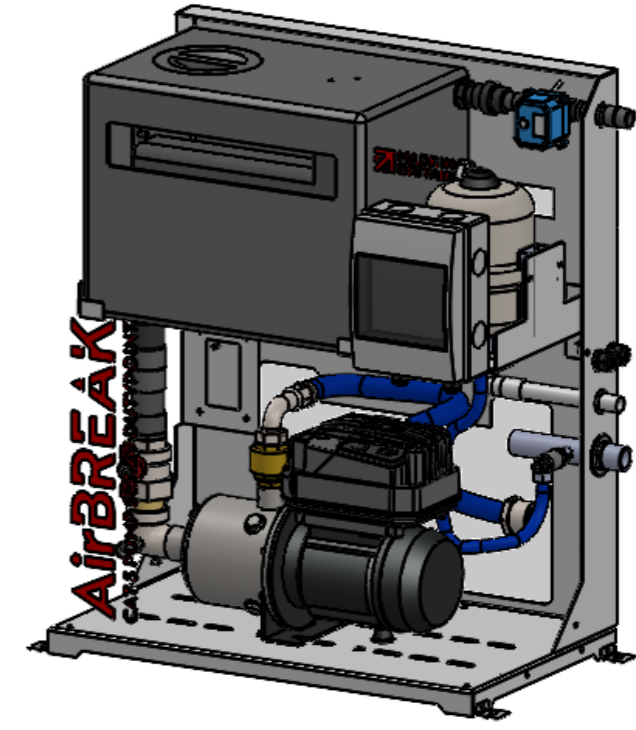


4X TRANSPORTATION BRACKETS  
 OPTIONAL BRACKET FOR WALL MOUNT



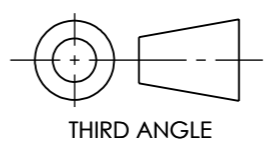
HANDLE FOR REMOVABLE COVER ON BOTH SIDES



**DUTYPOINT** SETTING THE BAR

SHEPHERD ROAD, GLOUCESTER GL2 5EL  
 (T): 01452 300 110

PROPRIETARY & CONFIDENTIAL  
 DO NOT SCALE THIS DRAWING  
 IF IN DOUBT



DRAWING NO:	<b>10-005685-000</b>	REV:	<b>01.00</b>
BIM NO:	XXX-XXX-XX-XX-XX-X-XX_XX_XX-XXXX-XX-XXX		
DESCRIPTION:	AIRBREAK VC1 - 03 - 007 M		
PROJECT NAME:			
MODEL NO.	AIRBREAK VC1 - 03 - 007 M		
SERIAL NO.		SHEET NO.	1 OF 1
PROJECT NO.		SCALE:	1:10
DRAWN BY:		23/01/2024	SHEET SIZE: A3
APPROVED BY:			WEIGHT KG: