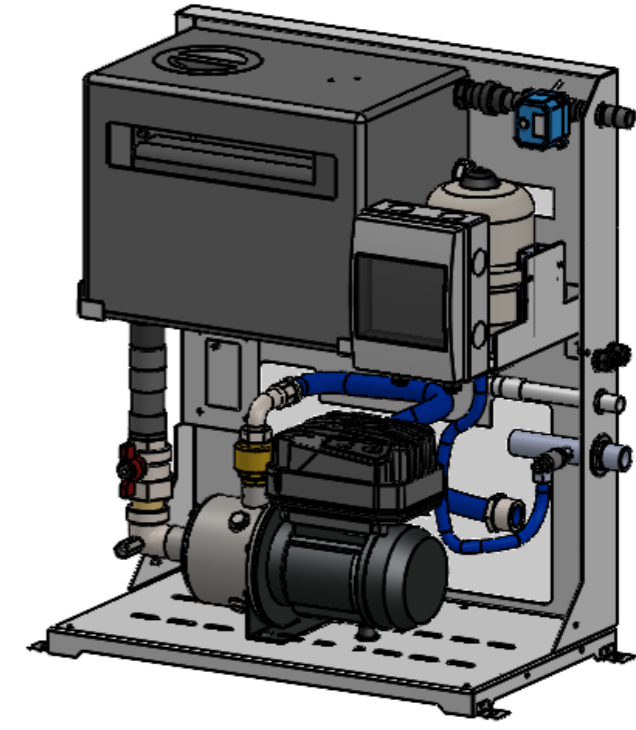
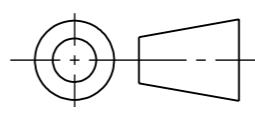


HANDLE FOR REMOVABLE COVER ON BOTH SIDES



<p>DUTYPOINT <small>SETTING THE BAR</small></p> <p>SHEPHERD ROAD, GLOUCESTER GL2 5EL (T): 01452 300 110</p>	DRAWING NO: 10-005689-000	REV: 01.00	
	BIM NO: XXX-XXX-XX-XX-XX-X-XX_XX_XX-XXXX-XX-XXX	DESCRIPTION: AIRBREAK VC1 - 05 - 007 M	
<p>PROPRIETARY & CONFIDENTIAL DO NOT SCALE THIS DRAWING IF IN DOUBT</p>  <p>THIRD ANGLE</p>	PROJECT NAME:		
	MODEL NO. AIRBREAK VC1 - 05 - 007 M	SHEET NO. 1 OF 1	
	SERIAL NO.	SCALE: 1:10	
	PROJECT NO.	SHEET SIZE: A3	
	DRAWN BY:	23/01/2024	WEIGHT KG:
	APPROVED BY:		