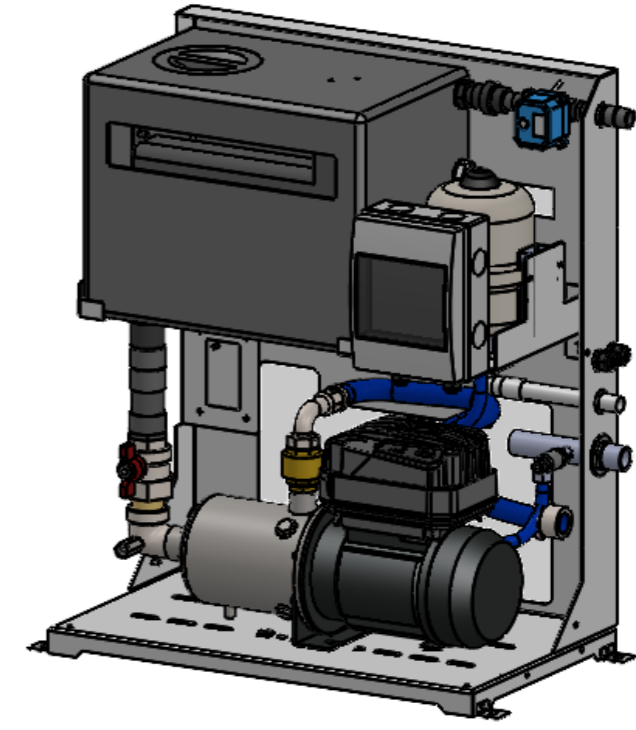
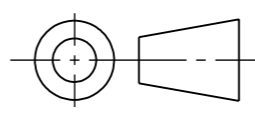


HANDLE FOR REMOVABLE COVER ON BOTH SIDES



<p><b>DUTYPOINT</b> <small>SETTING THE BAR</small></p> <p>SHEPHERD ROAD, GLOUCESTER GL2 5EL (T): 01452 300 110</p>	DRAWING NO: <b>10-005691-000</b>		REV: <b>01.00</b>	
	BIM NO: XXX-XXX-XX-XX-XX-X-XX_XX_XX-XXXX-XX-XXX		DESCRIPTION: AIRBREAK VC1 - 05 - 015 M	
<p>PROPRIETARY &amp; CONFIDENTIAL DO NOT SCALE THIS DRAWING IF IN DOUBT</p>  <p>THIRD ANGLE</p>	PROJECT NAME:		SHEET NO. 1 OF 1	
	MODEL NO. AIRBREAK VC1 - 05 - 015 M		SCALE: 1:10	
	SERIAL NO.		SHEET SIZE: A3	
	PROJECT NO.		WEIGHT KG:	
	DRAWN BY:		23/01/2024	
	APPROVED BY:			