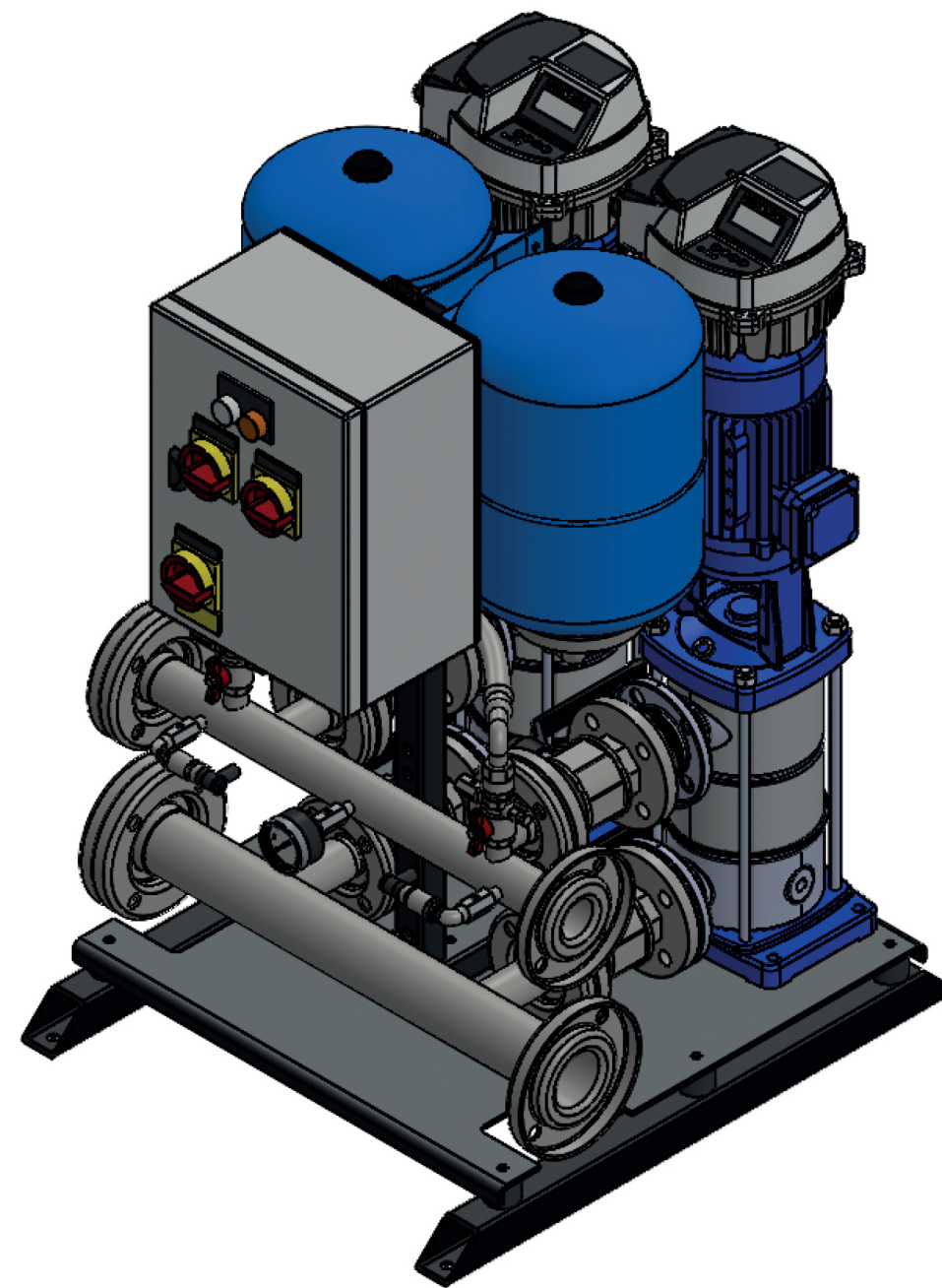
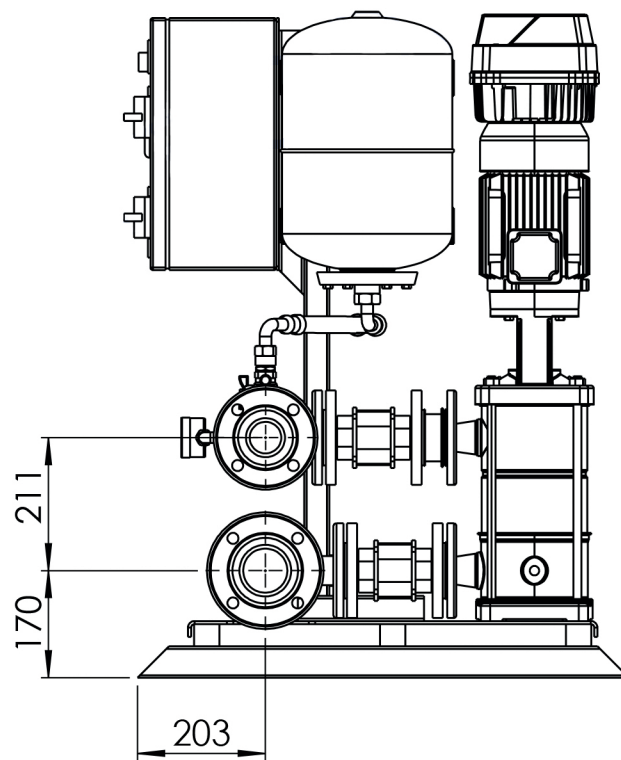


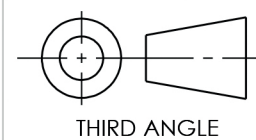
500mm MINIMUM HEADROOM REQUIRED



DUTYPOINT SETTING THE BAR

UNIT A, QUEDGELEY WEST BUSINESS PARK, HARDWICKE, GLOUCESTER GL2 4PA
(T): 01452 300 110

PROPRIETARY & CONFIDENTIAL
DO NOT SCALE THIS DRAWING
IF IN DOUBT ASK



DRAWING NO:	VR2-1006-LHT	REV:	00.02
BIM NO:	XXX-XXX-XX-XX-XX-X-XX_XX_XX-XXXX-XX-XXX		
DESCRIPTION:	DUTYPOINT SYSTEMS BOOSTER SET		
PROJECT NAME:			
MODEL NO.	VR2-1006-LHT		
SERIAL NO.		SHEET NO.	1 OF 1
PROJECT NO.		SCALE:	1:12
DRAWN BY:	DARREN LUSTY	13/09/2023	SHEET SIZE: A3
APPROVED BY:	-	-	WEIGHT KG: 179