

VRX4-15-075T

Product Description

The Dutypoint VRX is a premium, ultra high efficiency and space saving booster set for commercial and industrial applications.

The VRX features high efficiency IE5 motors and class leading motor mounted variable speed drives with large colour LCD displays and intuitive user HMI.

The system is designed to be straightforward to maintain, both electrically and mechanically, for maintenance or pump replacement while the booster set is operating.

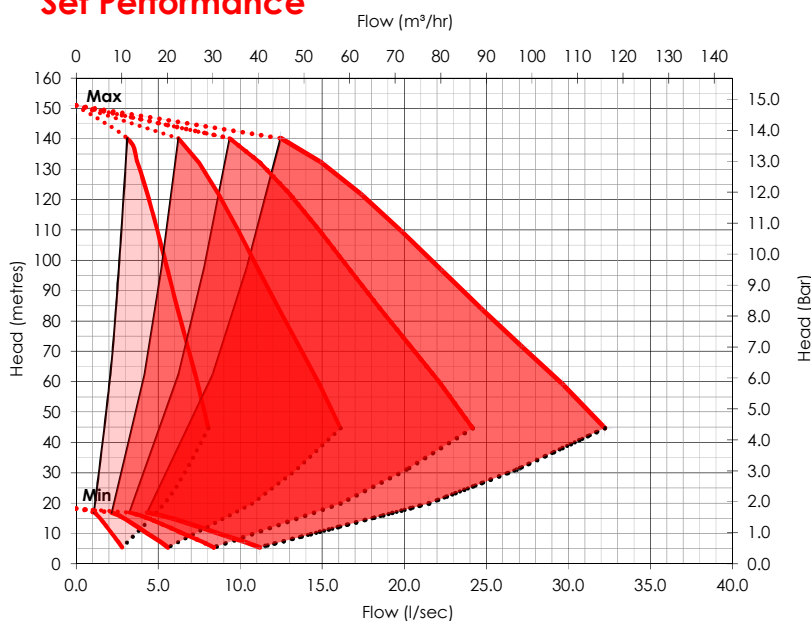


| | |
|---------------|---|
| WRAS | <ul style="list-style-type: none"> Water regulations approval pending |
| Control Panel | <ul style="list-style-type: none"> Variable speed pumps IE52 high system efficiency Volt free contacts for common fault and low water level IIOT Ready |
| Protection | <ul style="list-style-type: none"> Anti-Seize technology which rotates all pumps during low or zero usage and prevents the pumps from seizing up. Burst pipe protection which constantly monitors the system for signs of major leakage. If detected, an alarm is activated followed by full system deactivation if the required duty is still not met. Cyclic duty changeover which ensures even wear across all pumps in the system. Low Water Protection technology which deactivates the pumps if there is no water in the break tank, protecting against dry running. HiRISE technology which protects the building's pipework by ensuring the pumps start slowly during the initial fill process or following power failure to prevent potentially dangerous surges and consequent damage to the riser. |

Specification

| | |
|-----------------------------------|----------|
| Suction connection | DN100 |
| Delivery connection | DN100 |
| Max operating flow (per pump) | 8.1 l/s |
| Max operating pressure | 14.3 bar |
| Closed valve pressure | 14.8 bar |
| Maximum system pressure rating | 16 bar |
| Speed | Variable |
| IP rating | IP55 |
| Motor power | 7.5 kW |
| Weight | 420 kg |
| Pressure vessels N° x [Litres] | 3 x [8L] |
| Maximum operating temperature | 23 °C |

Set Performance



DUTYPOINT

www.dutypoint.com

Electrical Data

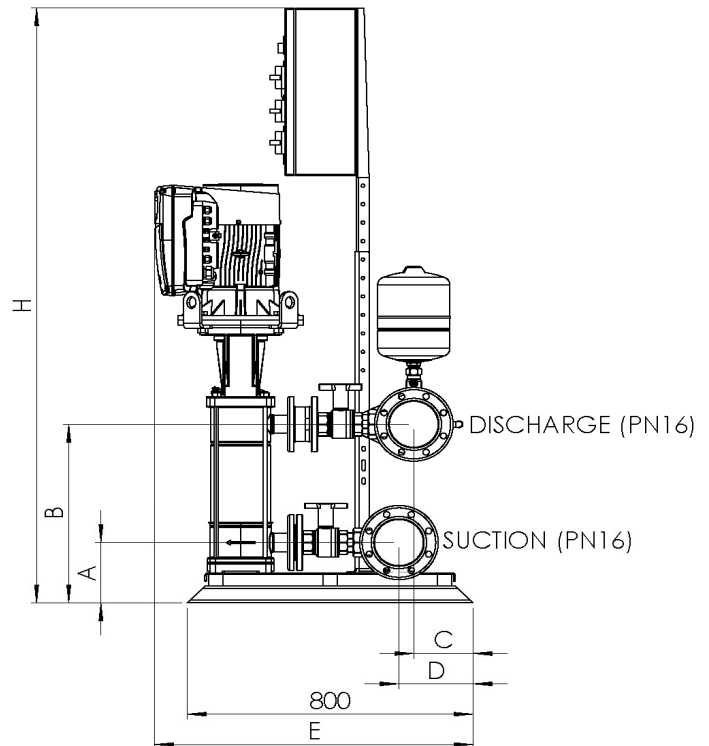
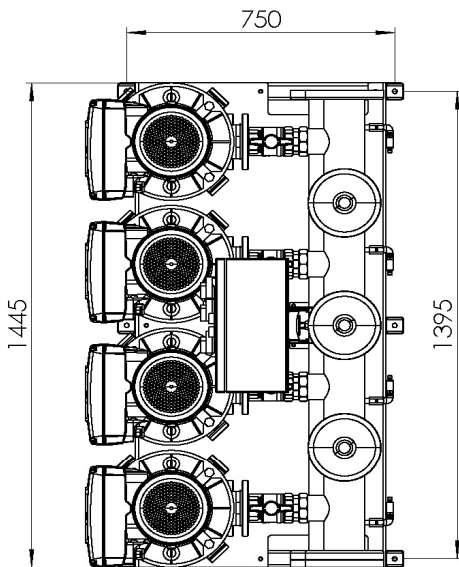
VRX model Codes

| Three Phase 3 ϕ Variant | |
|------------------------------|-----------------|
| Operating speed range | 1250 - 3600 RPM |
| Per pump Current @ Full Load | 13.7 A |
| Total Current @ Full Load | 54.8 A |

VRX2-05-030T

| | |
|----------------------------------|--|
| Number of pumps | |
| Nominal flow (m ³ /h) | |
| Motor kW per pump | |
| Power supply | |

Technical Drawing



Drawing dimensions

| | |
|-------------|-----|
| Dimension A | 179 |
| Dimension B | 534 |
| Dimension C | 166 |

| | |
|-------------|------|
| Dimension D | 207 |
| Dimension E | 891 |
| Dimension H | 1775 |