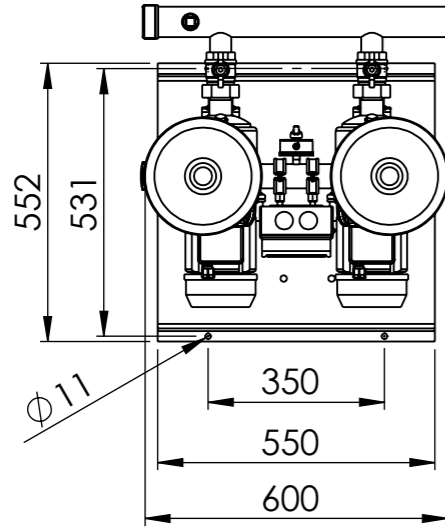


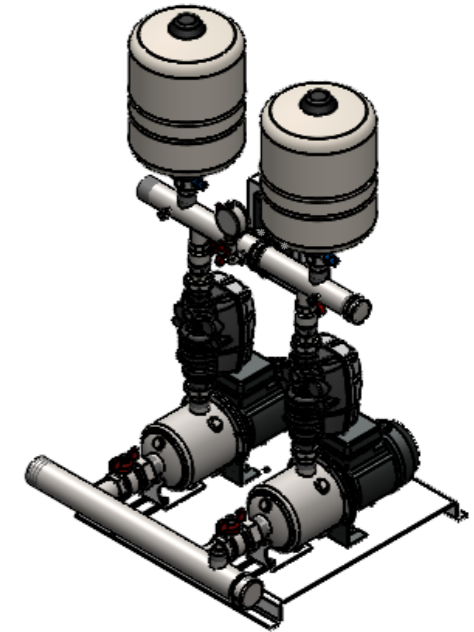
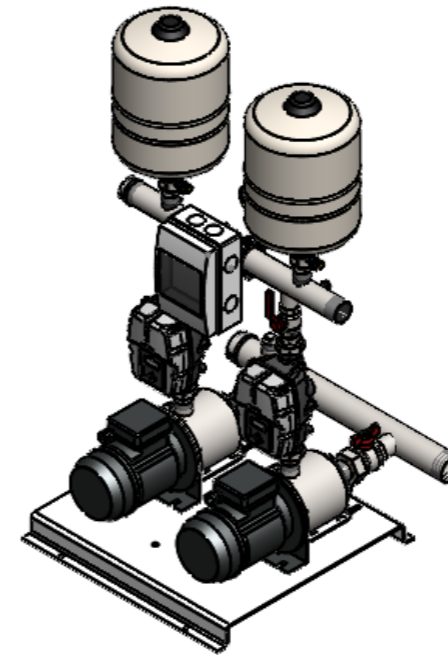
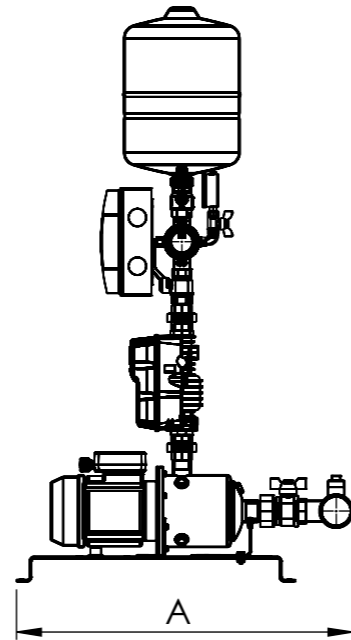
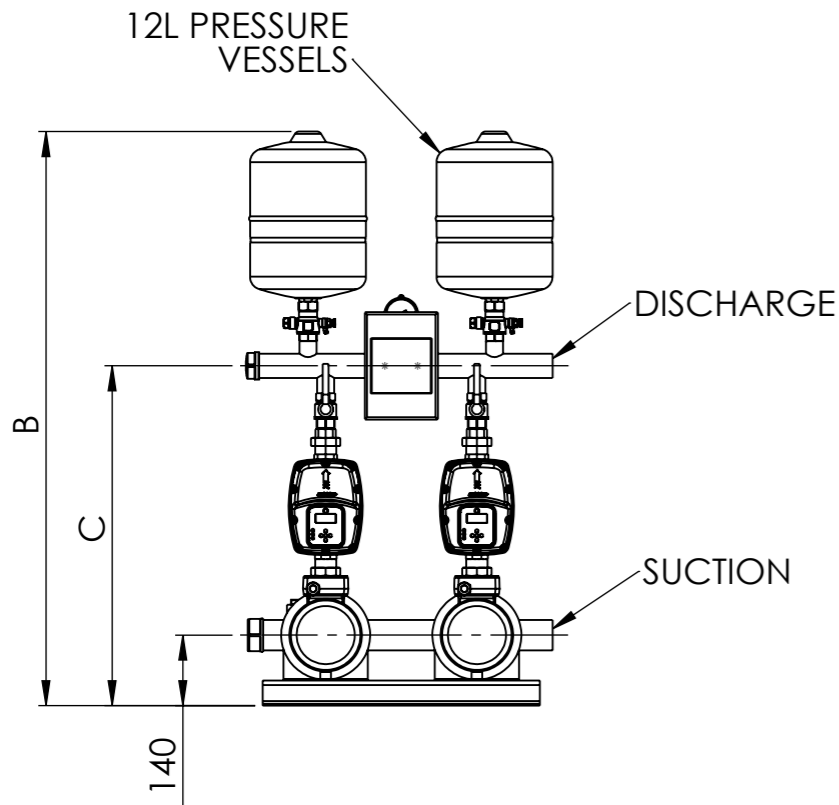
Flowboost BASE S.K.H Range Twin Pump Models & Dimensions

MODEL	SUCTION DN1	DISCHARGE DN2	A DEPTH mm	B HEIGHT mm	C DISCHARGE CENTER
BASE 2V.S.K.H.1.3005	2" BSP	1 1/2" BSP	670	1140	700
BASE 2V.S.K.H.1.3007	2" BSP	1 1/2" BSP	720	1140	700
BASE 2V.S.K.H.1.5004	2" BSP	1 1/2" BSP	645	1140	700
BASE 2V.S.K.H.1.5005	2" BSP	1 1/2" BSP	670	1140	700
BASE 2V.S.K.H.1.5006	2" BSP	1 1/2" BSP	695	1140	700
BASE 2V.S.K.H.1.5007	2" BSP	1 1/2" BSP	720	1140	700
BASE 2V.S.K.H.1.9004	2 1/2" BSP	2" BSP	690	1190	750
BASE 2V.S.K.H.1.9005	2 1/2" BSP	2" BSP	705	1190	750
BASE 2V.S.K.H.1.9006	2 1/2" BSP	2" BSP	780	1190	750

NOTE: ANTI-VIBRATION MOUNTS ADD 30MM TO THE HEIGHT OF THE BOOSTER SET IF FITTED



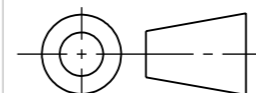
200mm MINIMUM HEADROOM REQUIRED



DUTYPOINT SETTING THE BAR

UNIT A, QUEDGELEY WEST BUSINESS PARK, HARDWICKE, GLOUCESTER GL2 4PA (T): 01452 300 110

PROPRIETARY & CONFIDENTIAL
DO NOT SCALE THIS DRAWING
IF IN DOUBT ASK



THIRD ANGLE

DRAWING NO:	5-005098-000	REV:	00.01
BIM NO:	XXX-XXX-XX-XX-XX-X-XX_XX_XX-XXXX-XX-XXX		
DESCRIPTION:	FLOWBOOST BASE S.K.H HORIZONTAL RANGE		
PROJECT NAME:			
MODEL NO.			
SERIAL NO.			
PROJECT NO.			
DRAWN BY:	JOHN FLORENCE	13/09/2024	SHEET NO. 1 OF 2
APPROVED BY:			SCALE: 1:15
			SHEET SIZE: A3
			WEIGHT KG: