

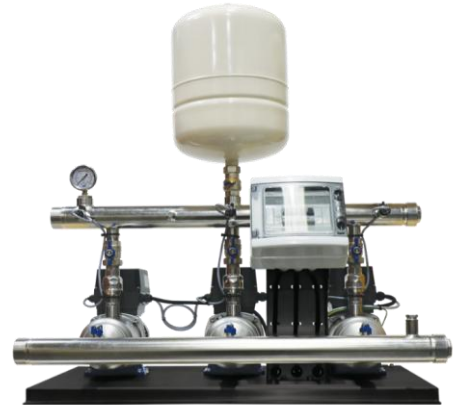
Flowboost

PRODUCT DATA SHEET

AH3-1503-022-M

Product Description

The Flowtech AH3-1503-022-M booster set utilises WRAS approved components and features 3 stainless steel multistage pumps mounted on a galvanised steel base plate. The pumps are operated by our advanced variable speed controller and will deliver a nominal flow rate of 25.5 m³/h (Per Pump) and nominal head pressure of up to 40.1 metres.

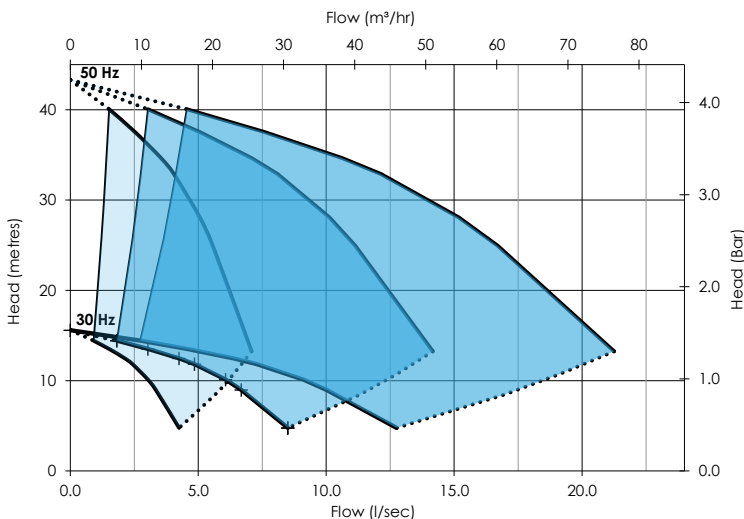


Certifications	<ul style="list-style-type: none"> Fully WRAS Approved Kiwa Regulation 4 Approved UKCA Approved CE Approved
Control Panel	<ul style="list-style-type: none"> Variable speed pumps control Volt free contacts Dry run protection Duty-assist-standby and duty-assist-assist modes
Features	<ul style="list-style-type: none"> 304/316 Stainless steel manifold assembly Suitable for a single phase 230 volt supply Air cooled inverters External low water level facility Pressure vessel with flow through isolation & drain valve Robust steel powder coated base, compact size AV mounts & Flexible connectors optional Minimum pressure alarm Safety start (slow fill mode) 2 Year Warranty

Specification

Suction connection	3 BSP
Delivery connection	3 BSP
Max operating flow (per pump)	7.1 l/s
Max operating pressure	3.9 bar
Closed valve pressure	4.2 bar
Maximum system pressure rating	10 bar
Speed	Variable
IP rating	IP55
Motor power	2.2 kW
Weight	120 kg
Pressure vessels N ^o x [Litres]	1 x [24]
Maximum system temperature	23 °C

Pump Performance Curve



Losses in fittings and valves not included.
 Performances shown are for S.G. 1.0 water with a liquid temperature during operation of 20 °C
 Pumps are tested in accordance with BS EN ISO 9906:2012 Rotodynamic pumps - Hydraulic performance acceptance tests - Grade 3B (ISO 9906:2012)

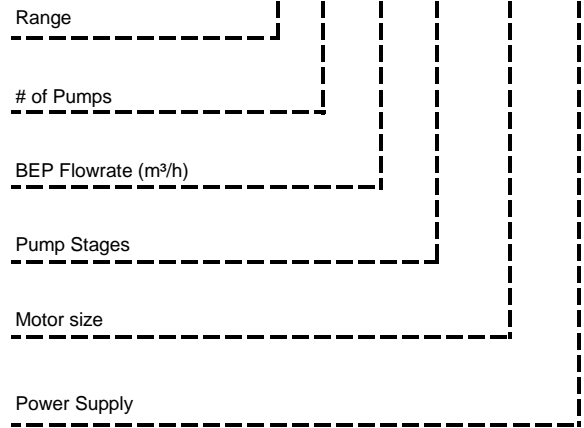
flowtech

Electrical Data

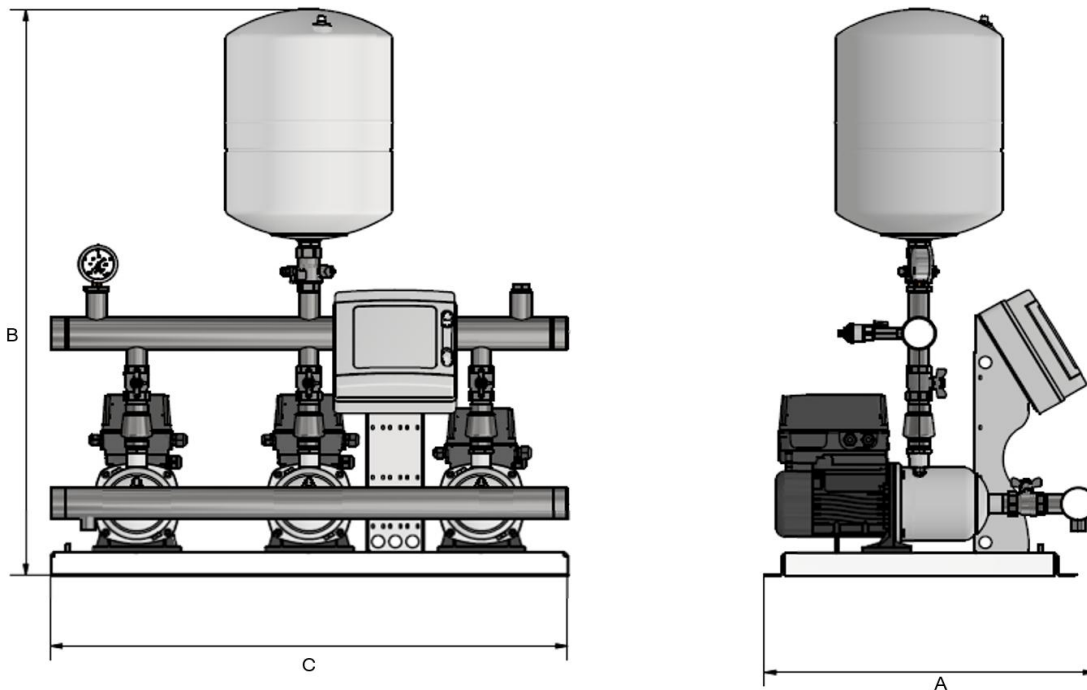
Operating speed range	30 - 50Hz
Per pump Current @ Full Load	10 A
Total Current @ Full Load	30 A
Supply Voltage	230v
Electrical Phase	1Φ

Model Codes

AH3-1503-022-M



Technical Drawing



Drawing dimensions

Dimension A	815
Dimension B	1200
Dimension C	900